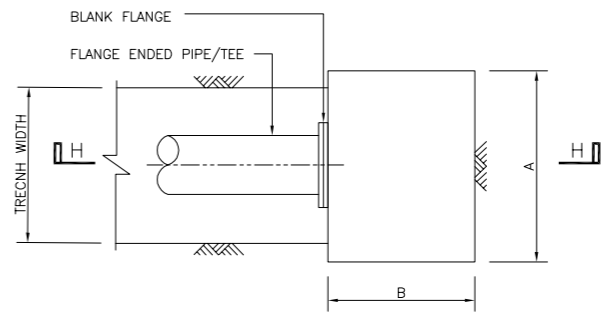
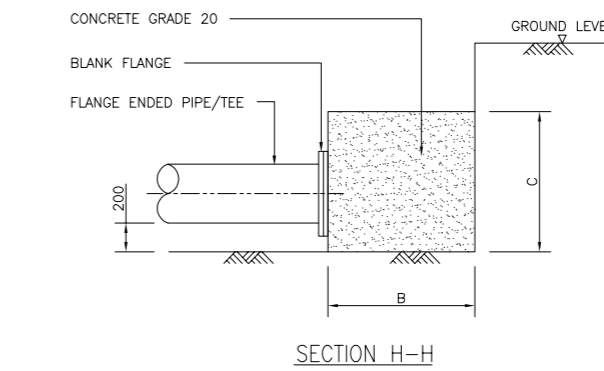


DETAILS OF THRUST BLOCK FOR TEE

TABLE FOR CONCRETE THRUST BLOCK FOR TEE

NOMINAL DIA. OF PIPE (mm)	A (mm)	B (mm)	C (mm)
100 x 100	750	500	500
150 x 100	800	550	550
150 x 150	800	700	650
200 x 100	850	600	600
200 x 150	850	700	600
200 x 200	850	950	850
250 x 100	900	550	650
250 x 150	900	650	650
250 x 200	900	900	800
250 x 250	1000	1300	1000
300 x 100	950	700	700
300 x 150	950	700	700
300 x 200	950	850	800
300 x 250	950	1300	950
300 x 300	1100	1700	1100
400 x 100	1000	750	750
400 x 150	1000	750	750
400 x 200	1000	800	750
400 x 250	1000	1200	900
400 x 300	1100	1600	1100
400 x 400	1500	2200	1300



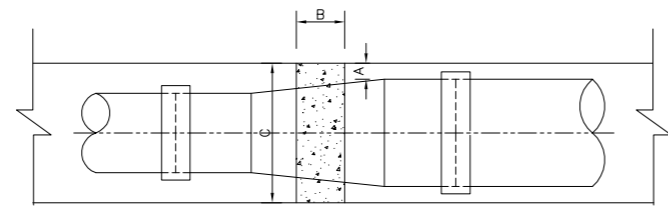
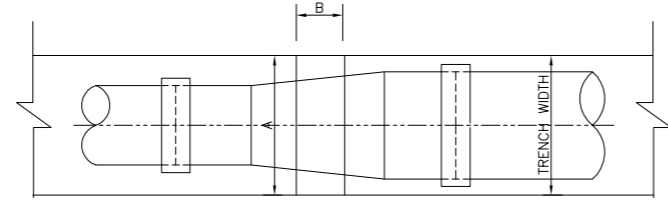
DETAILS OF THRUST BLOCK FOR BLANK FLANGE

TABLE FOR THRUST BLOCK FOR BLANK FLANGE

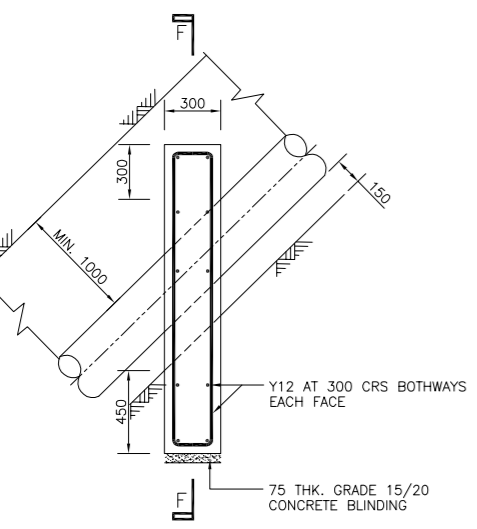
NOMINAL DIA. OF MS PIPE (mm)	A (mm)	B (mm)	C (mm)
100	600	300	500
150	700	350	800
200	900	450	900
250	1250	650	950
300	1600	800	1000
350	2000	1000	1050
400	2300	1200	1100

TABLE FOR THRUST BLOCK FOR TAPER

NOMINAL DIA. OF MS PIPE (mm)	A (mm)	B (mm)	C (mm)
150 x 100			
200 x 100	500	300	500
200 x 150			
250 x 150			
250 x 200	600	300	600
300 x 200			
300 x 250	700	400	700
350 x 200			
350 x 250	800	400	700
350 x 300			
400 x 200			
400 x 250	900	500	800
400 x 300			
400 x 350	900	450	800



DETAILS OF THRUST BLOCK FOR TAPER



DETAILS OF ANCHOR BLOCK

TABLE FOR ANCHOR BLOCK

GRADIENT EXCEEDING	ANCHOR BLOCK
1 : 12	EVERY THIRD PIPE
1 : 8	EVERY SECOND PIPE
1 : 5	EVERY PIPE

- NOTE:
1. ALL DIMENSIONS ARE MILLIMETRE AND LEVELS ARE IN METRE UNLESS OTHERWISE STATED.
  2. MASS CONCRETE GRADE 20.
  3. ALLOWABLE BEARING PRESSURE = 75 kN/m<sup>2</sup>.
  4. TEST PRESSURE FOR THRUST BLOCKS IS BASED ON 100m HEAD OF WATER.
  5. DIMENSIONS OF THRUST BLOCKS TO BE INCREASED IF ACTUAL BEARING PRESSURE IS FOUND TO BE LESS THAN 75 kN/m<sup>2</sup>.
  6. DIMENSION 'A' OF THRUST BLOCK TO BE ADJUSTED BY THE SO IF NECESSARY TO SUIT TRENCH WIDTH.
  7. REINFORCED CONCRETE GRADE 25.
  8. BLINDING CONCRETE GRADE 15.

REV.	REVISED BY	DESCRIPTION	DATE
01	NORAZLIN	CHANGE LOGO	JAN 2018

**Ranhill SAJ**

SAJ Ranhill Sdn. Bhd. (476718-H)

Jalan Garuda, Larkin, P.O Box 262,  
80350 Johor Bahru, Johor, Malaysia  
T\_+607 - 224 4040 F\_+607 - 224 0033

1800-88-7474 sms 019-772 7474 www.sajranhill.com.my customer.care@saj.com.my

PROJECT :

DRAWING TITLE :

DETAILS OF THRUST BLOCK AND ANCHOR BLOCK

DRAWN BY : MAZZ	DESIGNED : W.C
CHECKED : MFB	APPROVED : T.C
SCALE : NOT TO SCALE	DATE : JAN 2018
DRAWING NO :	SAJ/STD/TB/02 (01)