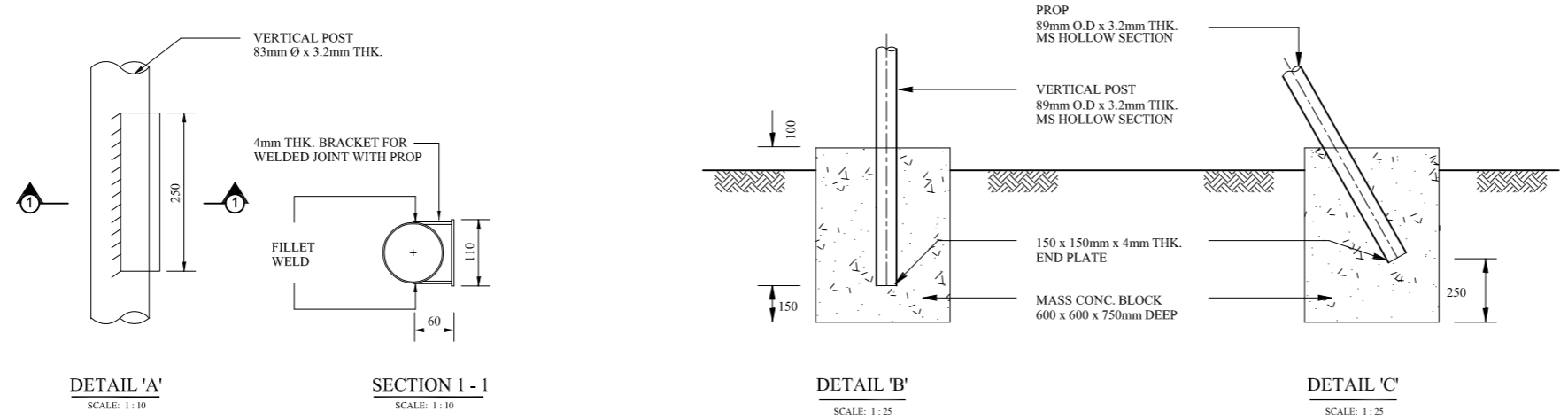


- NOTE:
1. UNLESS OTHERWISE SPECIFIED THE GENERAL NOTES, ABBREVIATIONS AND STANDARD DETAILS SHOWN IN THE RELEVANT DRAWINGS HERE IN SHALL BE APPLICABLE TO THE WORKS SHOWN IN THIS DRAWING.
 2. ALL DIMENSIONS ARE IN MILLIMETRES.
 3. ALL STEEL STRUCTURAL MEMBERS AND PANEL FRAMES TO BE PAINTED WITH ONE COAT LEAD OXIDE PRIMER AND TWO COAT GLOSS (ENAMEL) PAINT.
 4. PANEL BOARDS TO BE GALVANISED AND PAINTED WITH COMPATIBLE PAINTS, WITH DETAILS TO BE ISSUED.
 5. TEXT SIZE FOR STANDARD LOGOS AND COLOUR SCHEME TO FOLLOW THE REQUIREMENT.
 6. PROJECT TITLE WILL BE GIVEN TO SUIT.

REV.	REVISED BY	DESCRIPTION	DATE
01.	NORAZLIN	CHANGE LOGO	JAN 2018



Ranhill SAJ
 SAJ Ranhill Sdn. Bhd. (476718 - H)
 Jalan Garuda, Larkin, P.O Box 262,
 80350 Johor Bahru, Johor, Malaysia
 T_+607 - 224 4040 F_+607 - 224 0033
 1800-98-7474 sms 019-772 7474 www.sajranhill.com.my customer.care@saj.com.my

PROJECT :

DRAWING TITLE :
 DETAILS OF SIGNBOARD PROJECT

DRAWN BY : MAZZ	DESIGNED : W.C
CHECKED : MFB	APPROVED : T.C
SCALE : NOT TO SCALE	DATE : JAN 2018
DRAWING NO : SAJ/STD/SB/01	