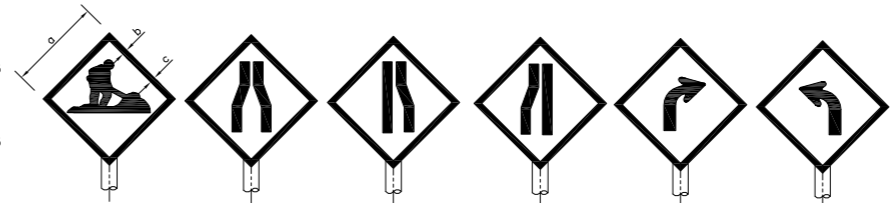
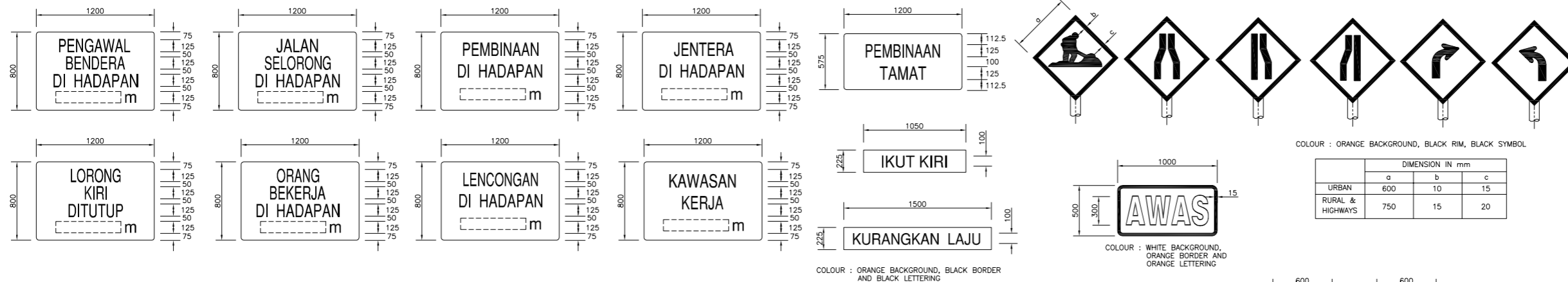
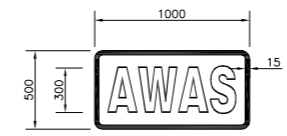


- NOTES:
1. ALL DIMENSIONS IN MILLIMETRE AND ALL LEVELS ARE IN METRE UNLESS OTHERWISE SPECIFIED.
 2. FOR NIGHT USE, ALL SIGNS TO BE REFLECTORISED.



COLOUR : ORANGE BACKGROUND, BLACK RIM, BLACK SYMBOL

	DIMENSION IN mm		
	a	b	c
URBAN	600	10	15
RURAL & HIGHWAYS	750	15	20



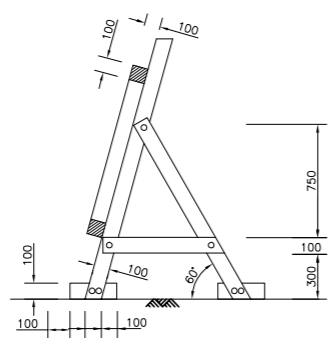
COLOUR : WHITE BACKGROUND, ORANGE BORDER AND ORANGE LETTERING

COLOUR : ORANGE BACKGROUND, BLACK BORDER AND BLACK LETTERING



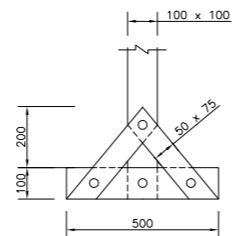
FRONT ELEVATION

SCALE B
COLOUR : ORANGE BACKGROUND, BLACK LETTERING



SIDE ELEVATION

SCALE B

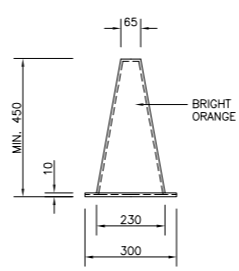


VIEW 'A'

SCALE A

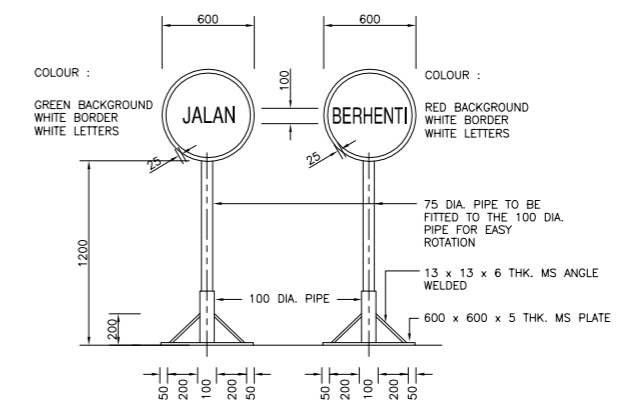


FLASHING AMBER LAMP



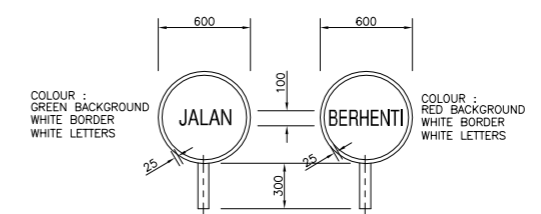
TYPICAL TRAFFIC GUIDANCE CONE

SCALE A



TYPE 1 PADDLE TYPE

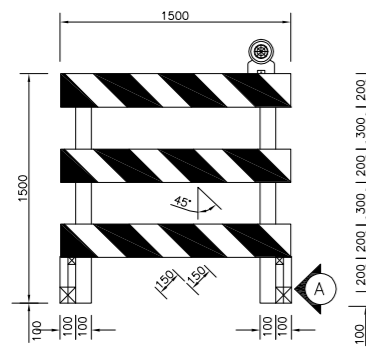
ON A SINGLE POST PLATE 'JALAN' SHALL BE WRITTEN ON ONE SIDE AND 'BERHENTI' ON REVERSE SIDE



TYPE 2 HAND DISC STOP/GO CONTROL SIGN

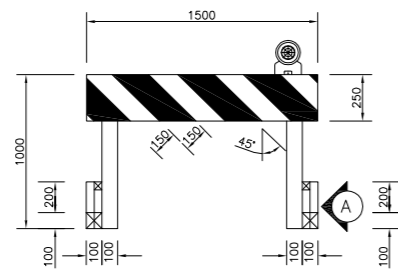
HAND SIGNAL CONTROL

SCALE B



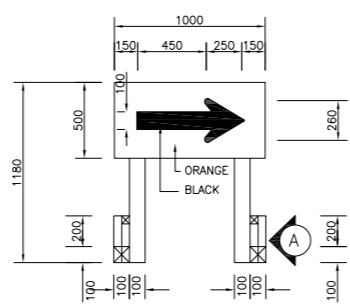
BARRICADE TYPE 1

SCALE B



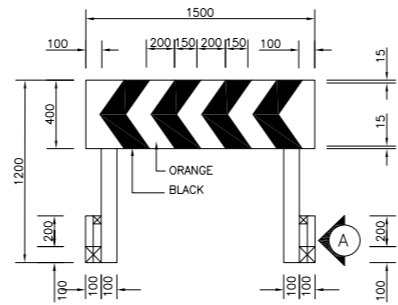
BARRICADE TYPE 2

SCALE B



DETOUR SIGN

SCALE B



SHARP DEVIATION SIGN

SCALE B

STRIPES SHALL POINT TOWARDS THE DIRECTION OF TRAFFIC

1. FOR BARRICADE USE ORANGE AND WHITE COLOUR ALTERNATIVE STRIPES.
2. FRAME SHALL BE COLOURED WHITE, SLOPE OF THE STRIPES TO BE IN THE DIRECTION OF THE TRAFFIC.

REV.	REVISED BY	DESCRIPTION	DATE
01	NORAZLIN	CHANGE LOGO	JAN 2018

Ranhill SAJ

SAJ Ranhill Sdn. Bhd. (476718 - H)
 Jalan Garuda, Larkin, P.O Box 262,
 80350 Johor Bahru, Johor, Malaysia
 T_+607 - 224 4040 F_+607 - 224 0033

1800-88-7474 sms 019-772 7474 www.sajranhill.com.my customer.care@saj.com.my

PROJECT :

DRAWING TITLE :

TEMPORARY ROAD SIGNS

DRAWN BY : MAZZ	DESIGNED : W.C
CHECKED : MFB	APPROVED : T.C
SCALE : NOT TO SCALE	DATE : JAN 2018
DRAWING NO : SAJ/STD/RS/01	