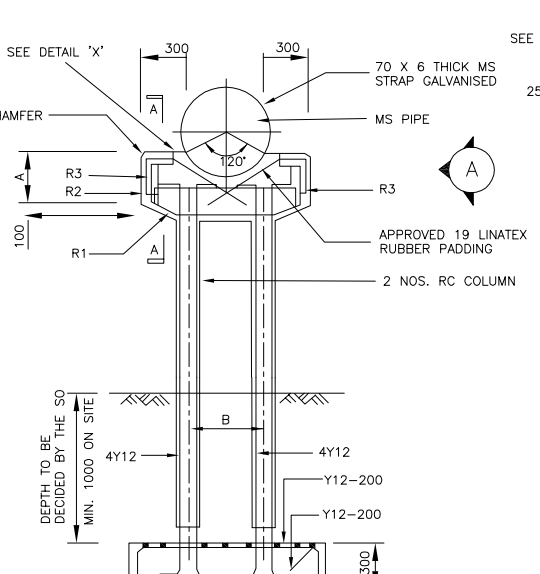
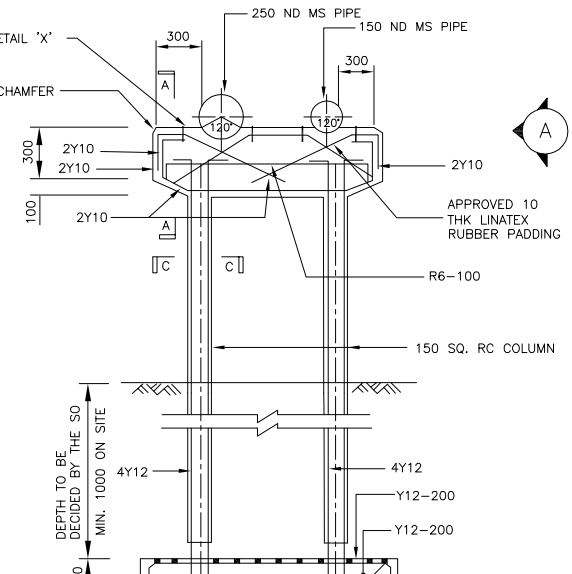


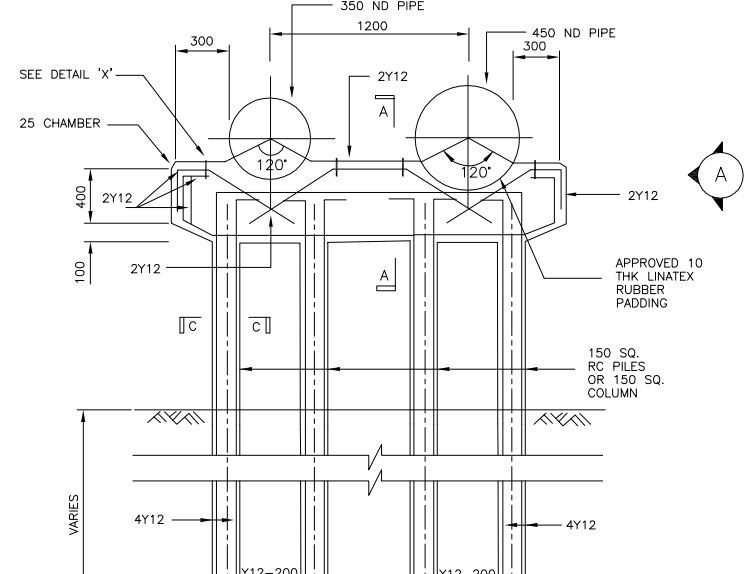
TYPICAL TWIN PILE SADDLE SUPPORT



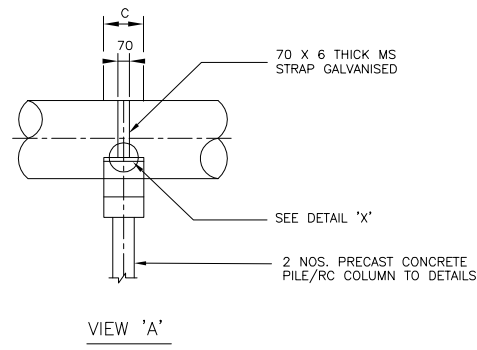
TYPICAL TWIN COLUMN SADDLE SUPPORT



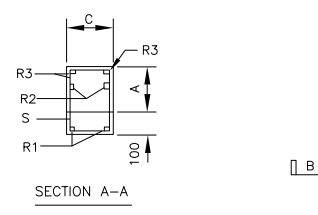
SECTIONAL ELEVATION SADDLE SUPPORT WITH TWIN PIPES (250 ND/150 ND)



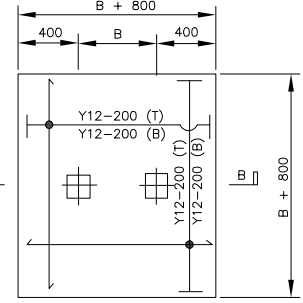
SECTIONAL ELEVATION SADDLE SUPPORT WITH TWIN PIPES (450 ND/350 ND)



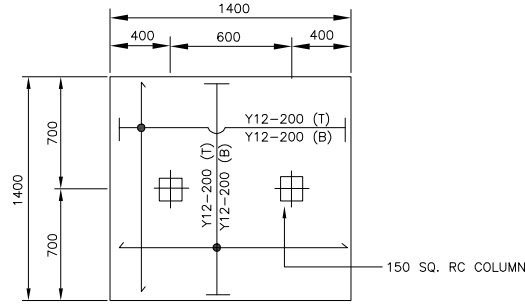
VIEW 'A'



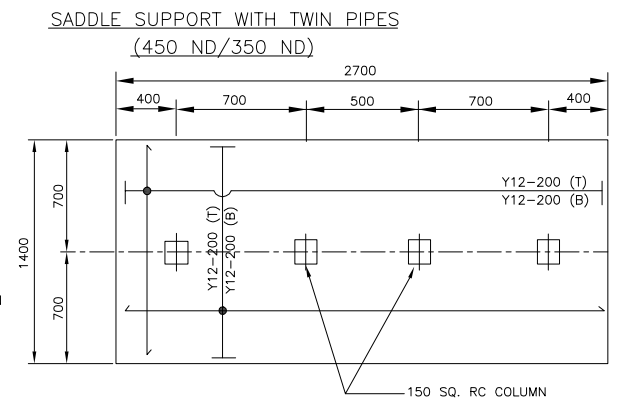
SECTION A-A



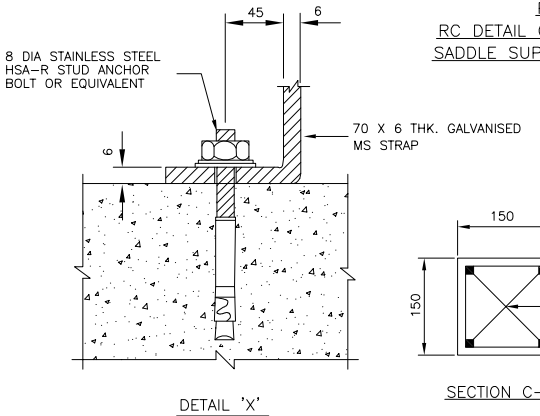
PLAN RC DETAIL OF FOOTING FOR SADDLE SUPPORT ON COLUMN



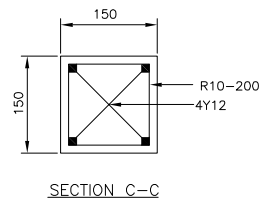
PLAN FOOTING FOR SADDLE SUPPORT WITH TWIN PIPES (250 ND/150 ND)



PLAN FOOTING FOR SADDLE SUPPORT WITH TWIN PIPES (450 ND/350 ND)



DETAIL 'X'



SECTION C-C

TABLE 1 SADDLE SUPPORT ON TWIN PILE/COLUMN FOR MS PIPE									
TYPE	PILE SIZE	PIPE SIZE	DIMENSION (mm)			REINFORCEMENT			
			A	B	C	R1	R2	R3	S
TWIN	150 SQ.	150	300	450	300	2Y10	2Y10	2Y10	R6 - 100
		200	300	450	300	2Y10	2Y10	2Y10	R6 - 100
		250	300	450	300	2Y10	2Y10	2Y10	R6 - 100
		300	300	450	300	2Y10	2Y10	2Y10	R6 - 100
		350	300	600	300	2Y12	2Y12	2Y12	R6 - 100
		400	400	600	300	2Y12	2Y12	2Y12	R6 - 100
		450	400	700	300	2Y12	2Y12	2Y12	R6 - 100
		500	400	700	300	2Y12	2Y12	2Y12	R6 - 100

TABLE 2 PILE MAXIMUM HEIGHT ABOVE GROUND	
PILE SIZE	HEIGHT (m) ABOVE GROUND SURFACE
150 SQ.	0-3.0

TABLE 3 SADDLE SUPPORT ON COLUMN FOR MS PIPE			
HEIGHT (m) ABOVE GROUND SURFACE	COLUMN SIZE	COLUMN BARS	LINKS
0 - 3.0	150 X 150	4 Y 12	R10 - 200

- NOTE:
- 1) MINIMUM LAP LENGTHS SHALL BE 50 X BAR DIA.
 - 2) CONCRETE GRADE FOR PIPE SUPPORT SHALL BE GRADE 25 UNLESS OTHERWISE STATED.
 - 3) MIN. COVER TO REINFORCEMENT :
40-IN CONTACT WITH EARTH
25-EXPOSED
 - 4) DESIGN BEARING CAPACITY OF SOIL ON FOOTINGS
100 kN/mp
 - 5) FOOTING SHALL BE ONLY BE USED ON HARD GROUND AS DIRECTED BY THE SO.

REV.	REVISED BY	DESCRIPTION	DATE
01	NORAZLIN	CHANGE LOGO	JAN 2018

Ranhill SAJ
SAJ Ranhill Sdn. Bhd. (476718-H)
Jalan Garuda, Larkin, P.O Box 262,
80350 Johor Bahru, Johor, Malaysia
T_+607-224 4040 F_+607-224 0033
1800-88-7474 sms 019-772 7474 www.sajranhill.com.my customer.care@saj.com.my

PROJECT :

DRAWING TITLE :
DETAILS OF PIPE SADDLE SUPPORT

DRAWN BY : MAZZ DESIGNED : W.C
CHECKED : MFB APPROVED : T.C
SCALE : NOT TO SCALE DATE : JAN 2018

DRAWING NO : SAJ/STD/PSp/02 (01)