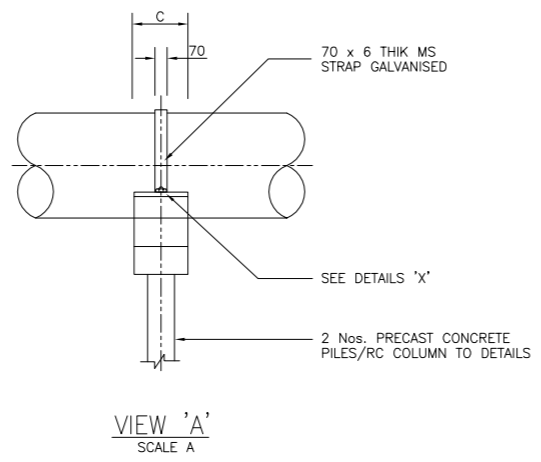
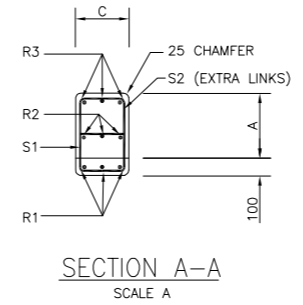


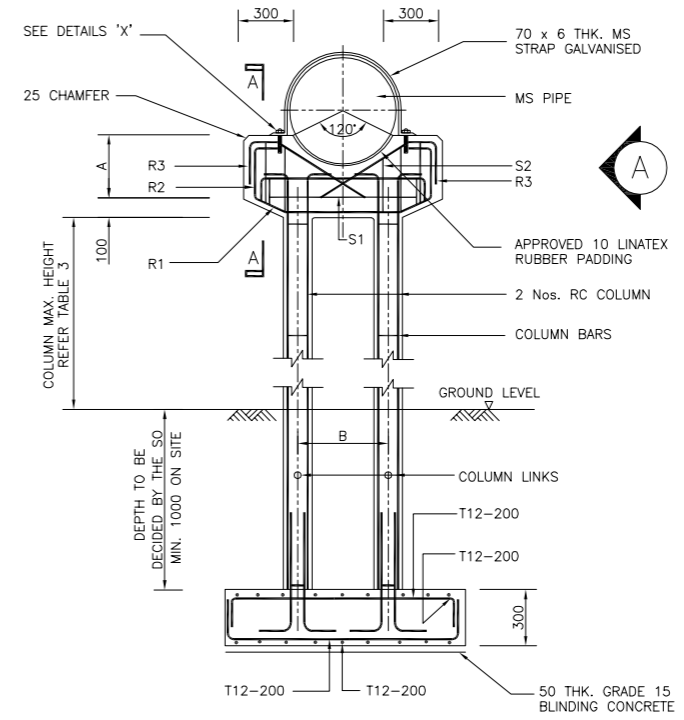
TWIN PILE SADDLE SUPPORT
SCALE A



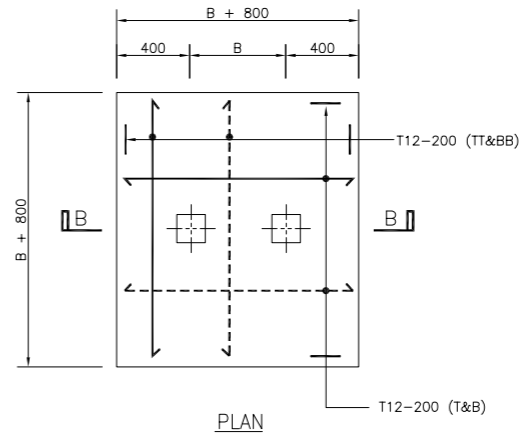
VIEW 'A'
SCALE A



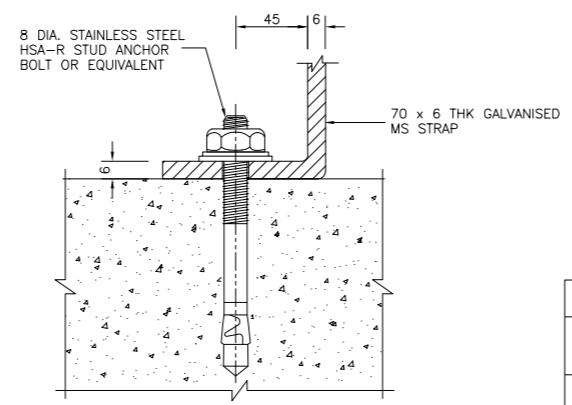
SECTION A-A
SCALE A



SECTION B-B
TWIN COLUMN SADDLE SUPPORT
SCALE A



PLAN
RC DETAIL OF FOOTING FOR
SADDLE SUPPORT ON COLUMN
SCALE A



DETAIL 'X'
SCALE B

HEIGHT (m) ABOVE GRD. SURFACE	COLUMN SIZE	COLUMN BARS	COLUMN LINKS
0 - 3.0	150 x 150	4 T 12	R10 - 200
0 - 3.0	200 x 200	4 T 15	R10 - 200
0 - 3.0	250 x 250	4 T 16	R10 - 200

PILE SIZE	HEIGHT (m) ABOVE GRD. SURFACE
150 SQ.	0 - 3.0
200 SQ.	0 - 3.0
250 SQ.	0 - 3.0

PIPE NO	PILE SIZE	DIMENSION (mm)			REINFORCEMENT				
		A	B	C	R1	R2	R3	S1	S2
100	TWIN 150	200	150	300	3110	3110	3110	R6 - 100	R6 - 100
150	TWIN 150	300	450	300	3110	3110	3110	R6 - 100	R6 - 100
200	TWIN 150	300	450	300	3110	3110	3110	R6 - 100	R6 - 100
250	TWIN 150	300	450	300	3110	3110	3110	R6 - 100	R6 - 100
300	TWIN 200	300	450	300	3110	3110	3110	R6 - 100	R6 - 100
350	TWIN 200	300	800	400	3712	3712	3712	R6 - 100	R6 - 100
400	TWIN 200	400	800	400	3712	3712	3712	R6 - 100	R6 - 100
150	TWIN 250	400	800	450	3712	3712	3712	R10 - 150	R10 - 150
200	TWIN 250	400	800	450	3712	3712	3712	R10 - 150	R10 - 150
300	TWIN 250	400	800	450	3712	3712	3712	R10 - 150	R10 - 150

- NOTE:
- ALL DIMENSIONS ARE IN MILLIMETRE AND LEVELS ARE IN METRE OTHERWISE STATED.
 - MINIMUM LAP LENGTHS SHALL BE 40 x BAR DIA.
 - CONCRETE GRADE FOR PIPE SUPPORT SHALL BE GRADE 25 UNLESS OTHERWISE STATED.
 - MIN. COVER TO REINFORCEMENT :
40 - IN CONTACT WITH EARTH
25 - EXPOSED
 - DESIGN BEARING CAPACITY OF SOIL ON FOOTINGS 100 KN/m².
 - FOOTING SHALL BE ONLY BE USED ON HARD GROUND AS DIRECTED BY THE S.O

REV.	REVISED BY	DESCRIPTION	DATE
01	NORAZLIN	CHANGE LOGO	JAN 2018

SAJ Ranhill Sdn. Bhd. (476718-H)
 Jalan Garuda, Larkin, P.O Box 262,
 80350 Johor Bahru, Johor, Malaysia
 T_+607-224 4040 F_+607-224 0033
 1800-88-7474 sms 019-772 7474 www.sajranhill.com.my customer.care@saj.com.my

PROJECT :

DRAWING TITLE :

DETAILS OF SADDLE SUPPORT

DRAWN BY : MAZZ DESIGNED : W.C
 CHECKED : MFB APPROVED : T.C
 SCALE : NOT TO SCALE DATE : JAN 2018
 DRAWING NO : SAJ/SD/PSp/01 (01)