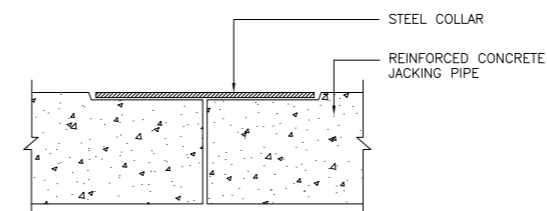
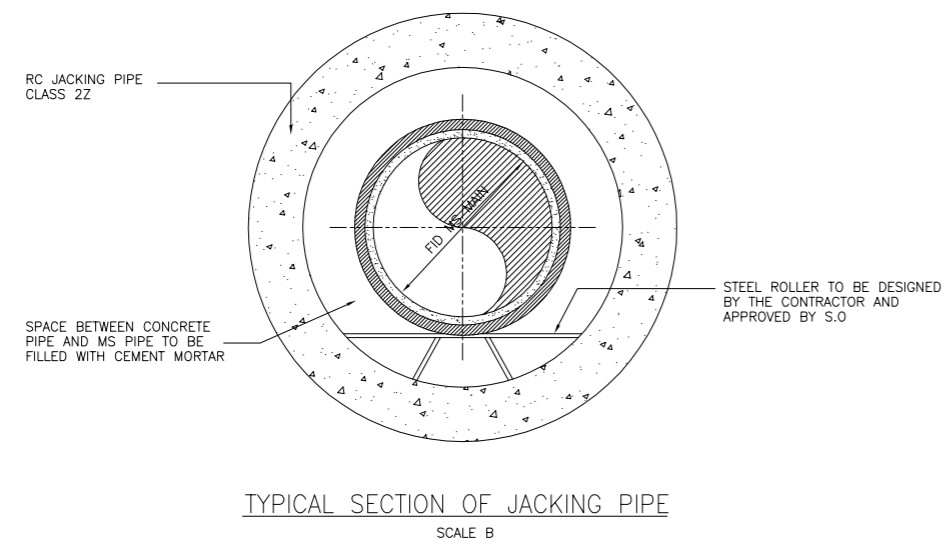
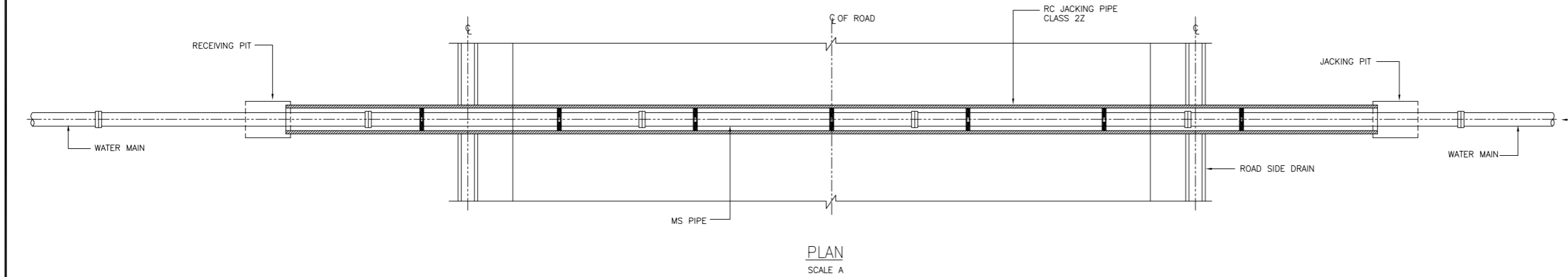
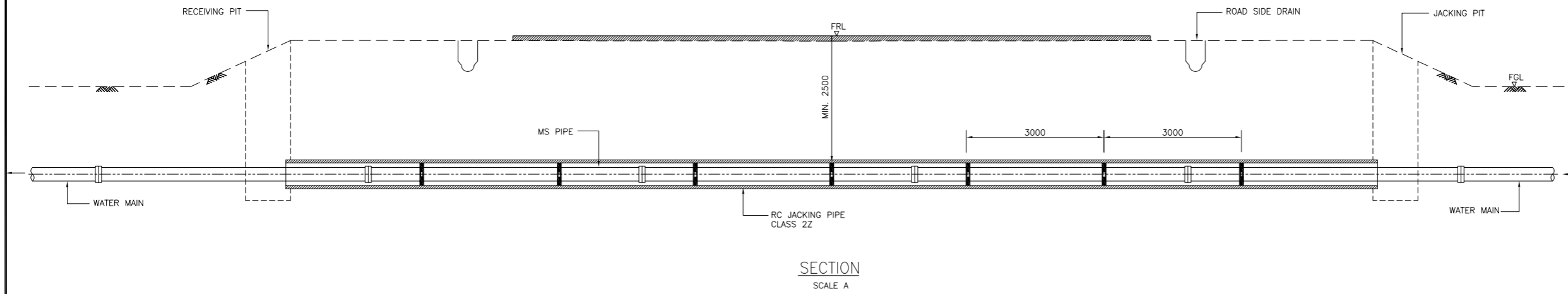


NOTE :

1. DIMENSION AND SHEET PILING AT JACKING AND RECEIVING PITS TO BE DESIGNED BY CONTRACTOR AND APPROVED BY S.O
2. DETAILS OF JACKING PIPE STEEL COLLAR SHALL BE PROVIDED BY CONTRACTOR
3. ALL DIMENSIONS ARE IN MILLIMETRE AND LEVELS ARE IN METRE UNLESS OTHERWISE STATED.



MS PIPE ND (mm)	RC JACKED PIPE DIA. (mm)
100	450
150	450
200	450
250	500
300	600
350	600
400	750

GENERAL ARRANGEMENT OF JACKING PIPE STEEL COLLAR
SCALE C

REV.	REVISED BY	DESCRIPTION	DATE
01	NORAZLIN	CHANGE LOGO	JAN 2018



Ranhill SAJ
SAJ Ranhill Sdn. Bhd. (476718-H)
 Jalan Garuda, Larkin, P.O Box 262,
 80350 Johor Bahru, Johor, Malaysia
 T_+607-224 4040 F_+607-224 0033
 1800-88-7474 sms 019-772 7474 www.sajranhill.com.my customer.care@saj.com.my

PROJECT :

DRAWING TITLE :
 TYPICAL PIPE JACKING DETAILS

DRAWN BY : MAZZ	DESIGNED : W.C
CHECKED : MFB	APPROVED : T.C
SCALE : NOT TO SCALE	DATE : JAN 2018
DRAWING NO :	SAJ/STD/PJc/01(01)