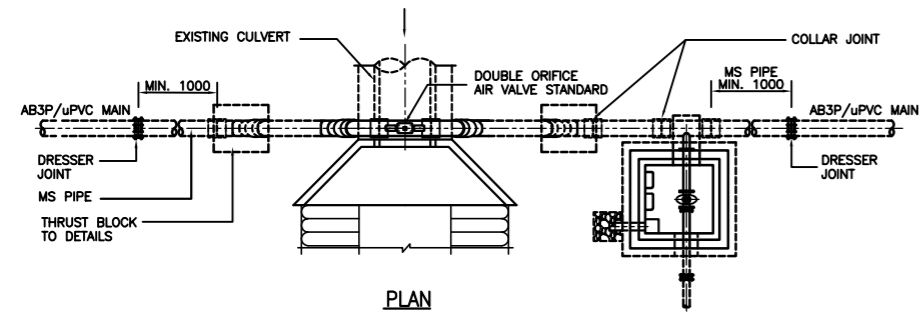
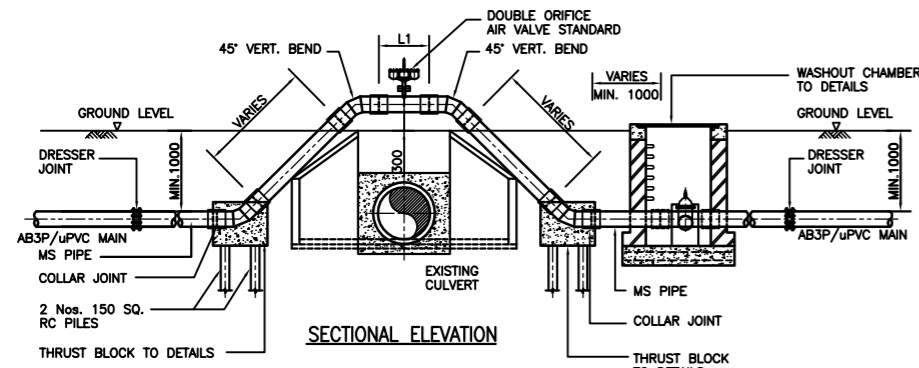
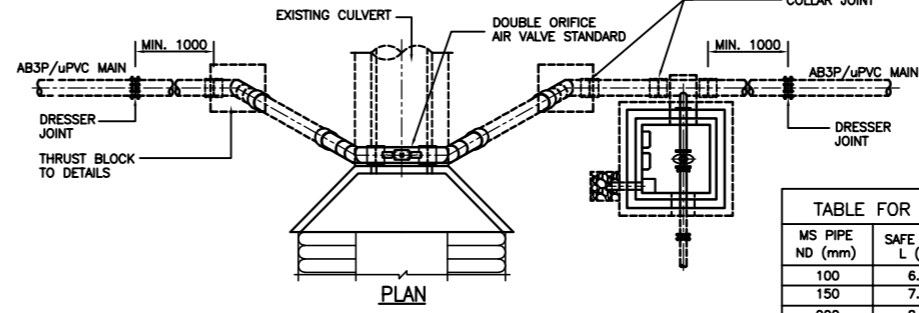
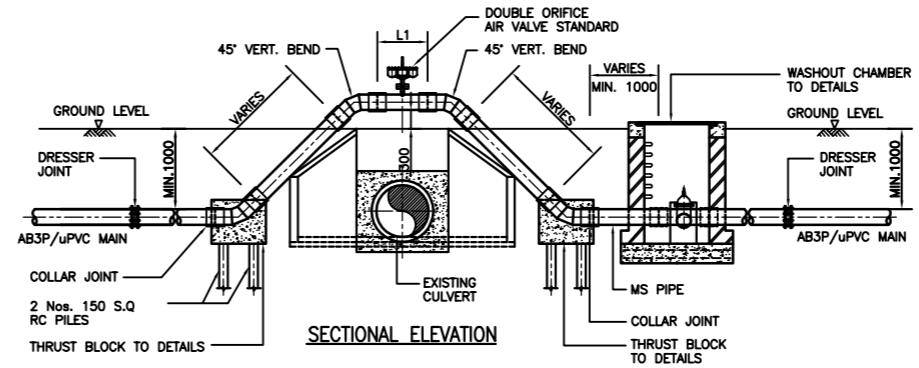


NOTE:

1. TYPE OF OVERCROSSING USED SHALL BE DETERMINED BY THE S.O AND OVERCROSSING SHALL BE OF MILD STEEL.
2. COLLAR JOINTS SHALL GENERALLY BE USED IN ALL CROSSINGS.
3. ALL DIMENSIONS ARE IN MILLIMETRE AND ALL LEVELS ARE IN METRE UNLESS OTHERWISE STATED.
4. 150 SQ. RC PILES AT OVERCROSSING THRUST BLOCK WHERE NECESSARY AS DIRECTED BY THE S.O
5. L1 IS THE LENGTH OF AIR VALVE TEE

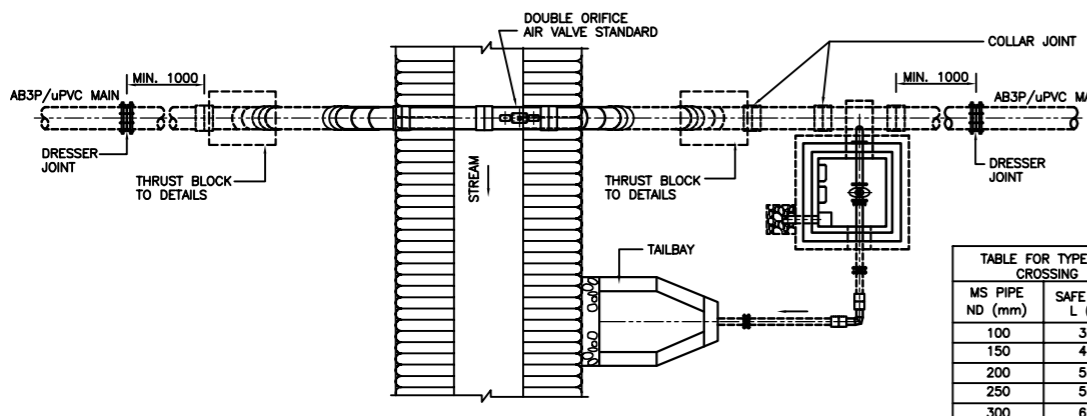
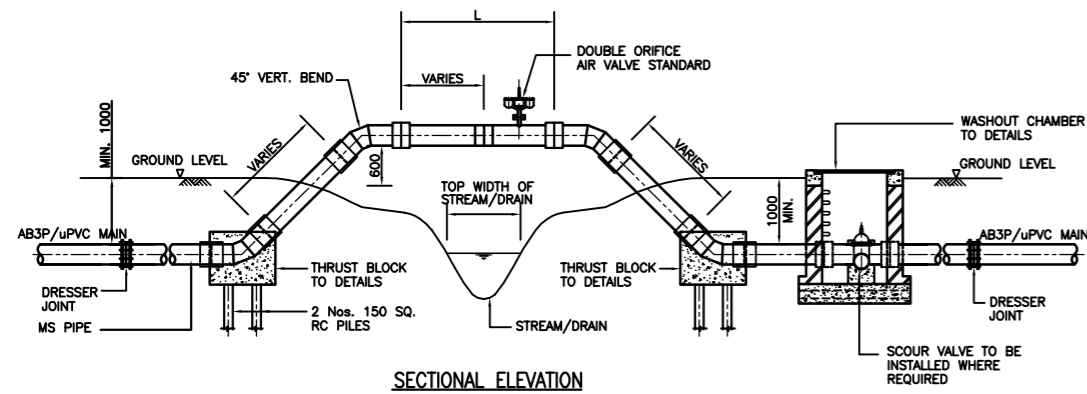


TYPICAL TYPE 1 CULVERT OR STREAM CROSSING



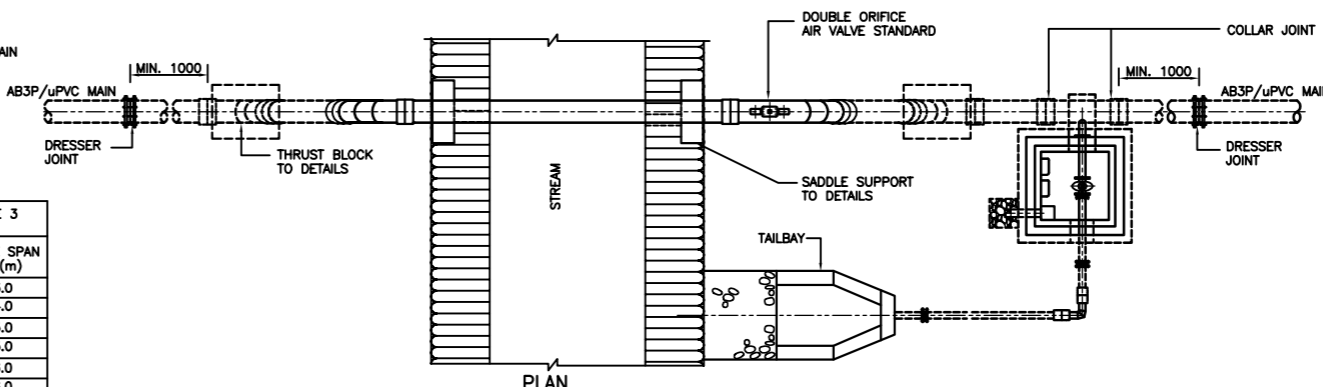
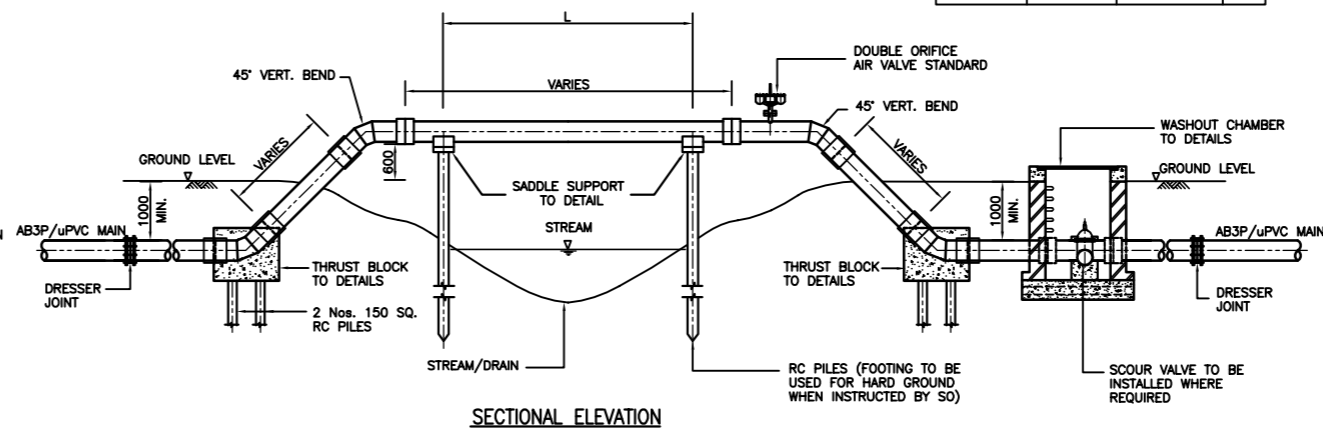
TYPICAL TYPE 2 CULVERT OR STREAM CROSSING

MS PIPE ND (mm)	SAFE SPAN L (m)	PILE SIZE
100	6.0	150 SQ.
150	7.5	150 SQ.
200	8.5	150 SQ.
250	9.5	150 SQ.
300	10.0	150 SQ.
350	10.0	200 SQ.
400	10.0	200 SQ.



TYPICAL TYPE 3 CULVERT OR STREAM CROSSING

MS PIPE ND (mm)	SAFE SPAN L (m)
100	3.0
150	4.0
200	5.0
250	5.0
300	6.0
350	6.0
400	6.0



TYPICAL TYPE 4 CROSSING ON PIPE SUPPORTS

REV.	REVISED BY	DESCRIPTION	DATE
01	NORAZLIN	CHANGE LOGO	JAN 2018

Ranhill SAJ
SAJ Ranhill Sdn. Bhd. (476718-H)
 Jalan Garuda, Larkin, P.O Box 262,
 80350 Johor Bahru, Johor, Malaysia
 T_+607 - 224 4040 F_+607 - 224 0033
 1800-88-7474 sms 019-772 7474 www.sajanhill.com.my customer.care@saj.com.my

PROJECT :

DRAWING TITLE :
TYPICAL OVERCROSSING DETAILS FOR uPVC PIPE / AB-3P PIPE

DRAWN BY : MAZZ DESIGNED : W.C
 CHECKED : MFB APPROVED : T.C
 SCALE : NOT TO SCALE DATE : JAN 2018
 DRAWING NO : SAJ/STD/PCr/01