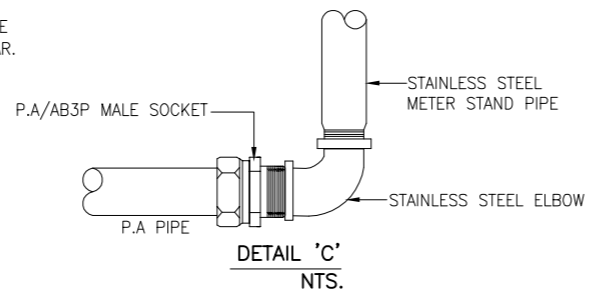
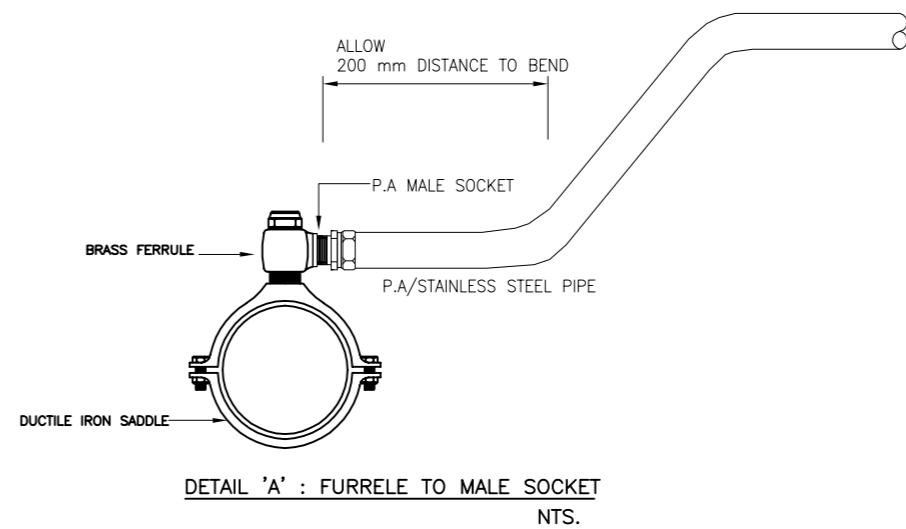
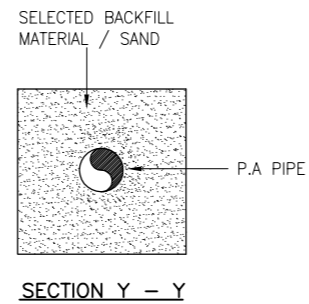
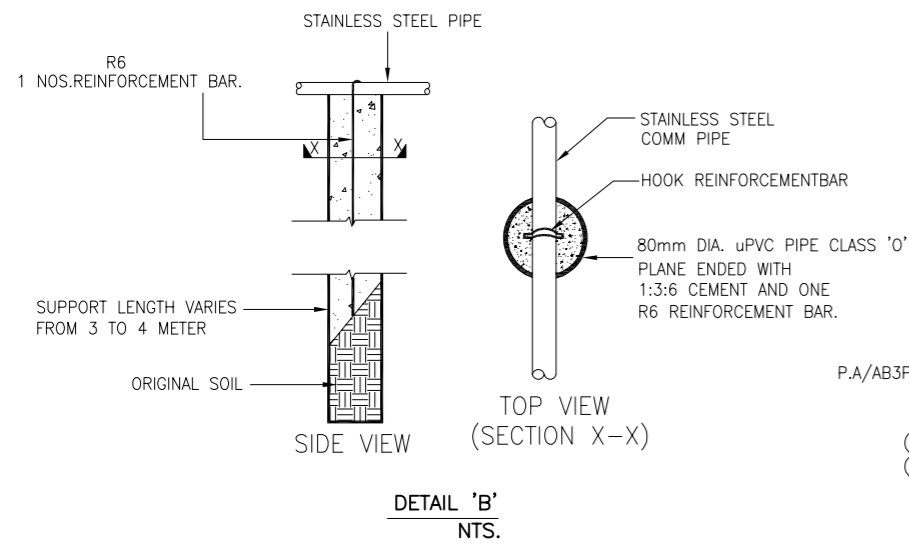


TYPICAL DETAIL FOR P.A COMMUNICATION PIPE AT STREAM CROSSING
NTS.



- NOTE:
1. P.A (POLYETHYLENE ALUMINIUM).
 2. ALL PIPE MATERIALS AND BRASS SPECIALS TO SPAN APPROVAL.
 3. SIZE OF G.I SLEEVE CLASS 'B' MUST BE ONE GRADE HIGHER FROM THE COMM PIPE SPECIFIED.
 4. NO OPEN CUT TRENCHING IS ALLOWED.
 5. STAINLESS STEEL PIPE SHOULD BE OF SS40.
 6. REINFORCEMENT TO COMPLY BS 4449 : R WITH $f_y = 250 \text{ N/mm}^2$.

REV.	REVISED BY	DESCRIPTION	DATE
01	NORAZLIN	CHANGE LOGO	JAN 2018

Ranhill SAJ
SAJ Ranhill Sdn. Bhd. (476718 - H)
 Jalan Garuda, Larkin, P.O Box 262,
 80350 Johor Bahru, Johor, Malaysia
 T_+607 - 224 4040 F_+607 - 224 0033
 1900-88-7474 sms 019-772 7474 www.sajranhill.com.my customer.care@saj.com.my

PROJECT :

DRAWING TITLE :
 DETAILS OF P.A COMMUNICATION PIPE AT STREAM CROSSING

DRAWN BY : MAZZ	DESIGNED : W.C
CHECKED : MFB	APPROVED : T.C
SCALE : NOT TO SCALE	DATE : JAN 2018
DRAWING NO : SAJ/STD/COM/02 (01)	