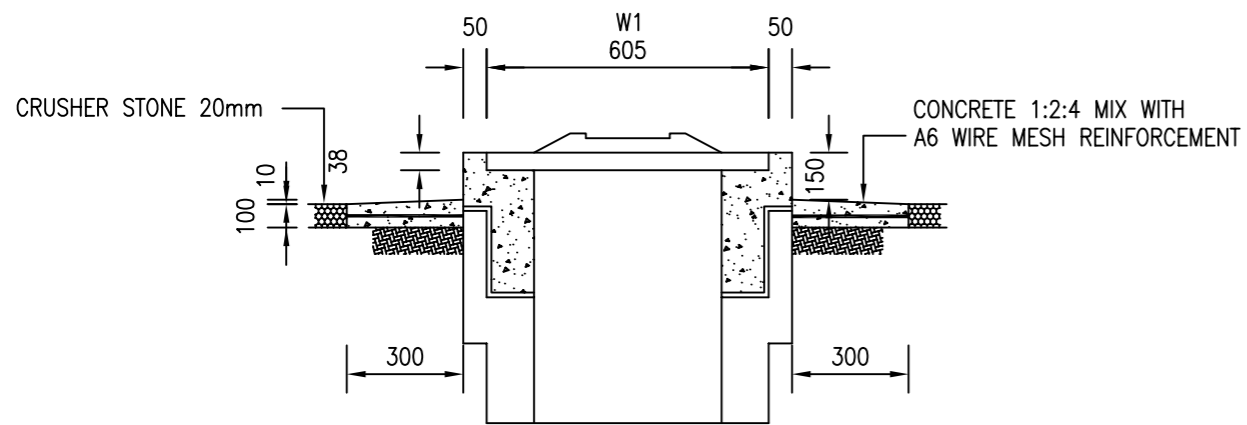
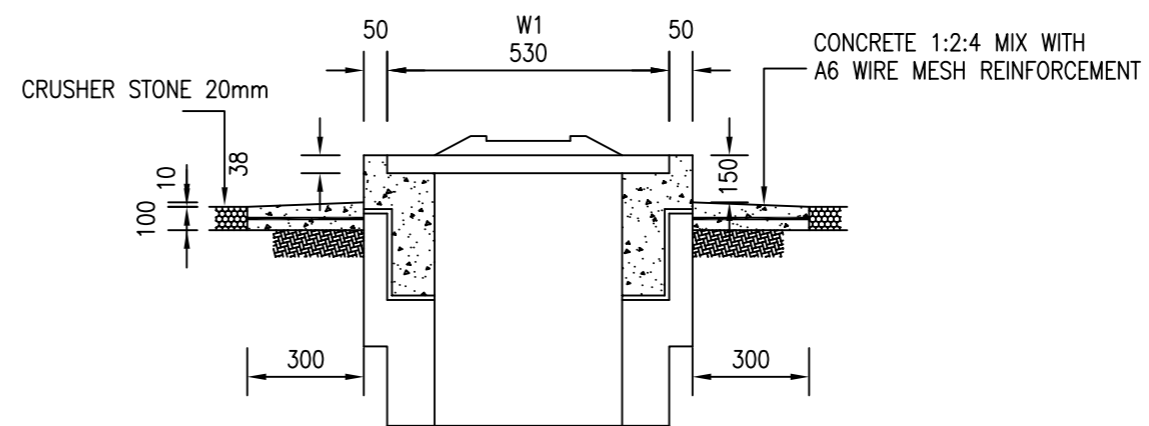


CONCRETE APRON FOR CHAMBER  
SIDE PROTECTION



SECTION X-X



SECTION Y-Y

NOTE:

REV.	REVISED BY	DESCRIPTION	DATE
01	NORAZLIN	CHANGE LOGO	JAN 2018



**SAJ Ranhill Sdn. Bhd.** (476718 - H)  
 Jalan Garuda, Larkin, P.O Box 262,  
 80350 Johor Bahru, Johor, Malaysia  
 T\_+607 - 224 4040 F\_+607 - 224 0033  
 1800-88-7474 sms 019-772 7474 www.sajranhill.com.my customer.care@saj.com.my

PROJECT:

DRAWING TITLE:  
 DETAILS OF CONCRETE APRON FOR  
 CHAMBER SIDE PROTECTION

DRAWN BY : MYR	DESIGNED : W.C
CHECKED : MFB	APPROVED : T.C
SCALE : NOT TO SCALE	DATE : JAN 2018
DRAWING NO: SAJ/STD/CH/18 (01)	