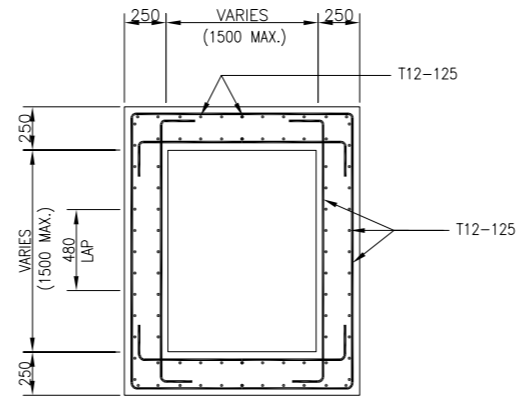
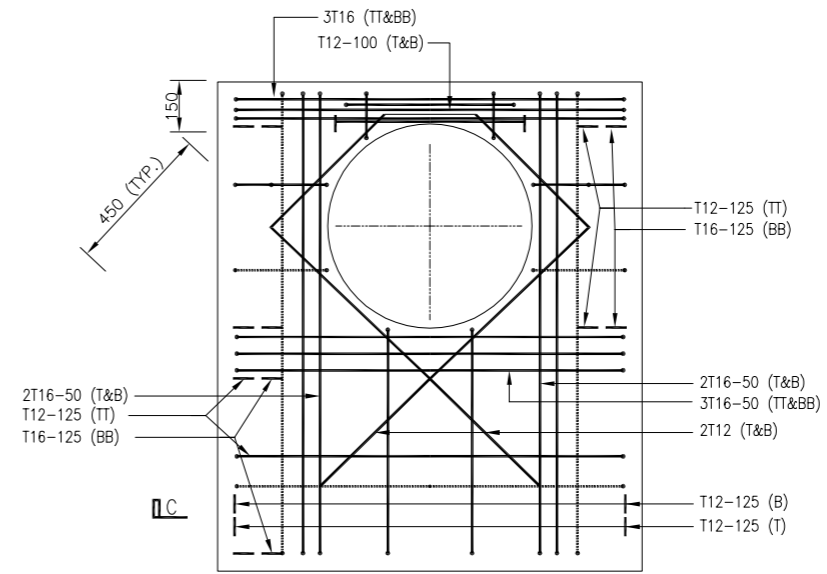


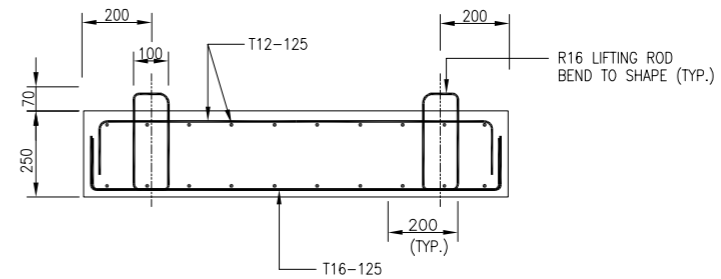
SECTION A-A
SCALE A



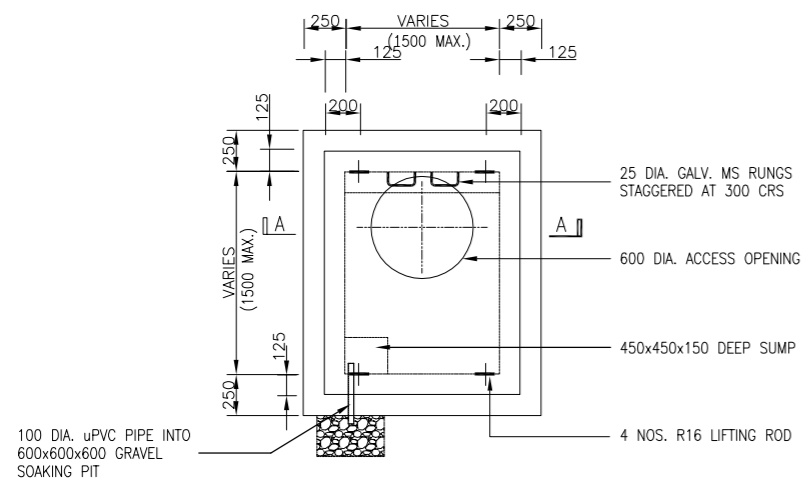
SECTION B-B
SCALE A



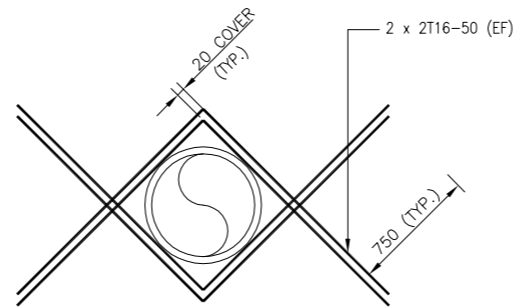
PRECAST SLAB PLAN
SCALE B



SECTION C-C
SCALE B



PLAN
VALVE CHAMBER IN ROAD PAVEMENT
SCALE A



TYPICAL PIPE OPENING DETAILS
IN CHAMBER WALL (MAX. 600 ϕ)
SCALE B

- NOTE:
1. ALL DIMENSIONS ARE IN MILLIMETRE AND LEVELS ARE IN METRE UNLESS OTHERWISE STATED
 2. FOR DETAILS OF PC SLAB COVER, REFER DRAWING No. SAJ/STD/CH/02
 3. ALL REINFORCED CONCRETE TO BE GRADE 25
 4. REINFORCEMENT TO COMPLY BS 4449
R WITH $f_y = 250N/mm^2$
T WITH $f_y = 460N/mm^2$

REV.	REVISED BY	DESCRIPTION	DATE
01	NORAZLIN	CHANGE LOGO	JAN 2018

Ranhill SAJ
SAJ Ranhill Sdn. Bhd. (476718-H)
Jalan Garuda, Larkin, P.O Box 262,
80350 Johor Bahru, Johor, Malaysia
T_+607-224 4040 F_+607-224 0033
1800-88-7474 sms 019-772 7474 www.sajranhill.com.my customer.care@saj.com.my

PROJECT:

DRAWING TITLE:
**DETAILS OF RC VALVE CHAMBER
IN ROAD PAVEMENT**

DRAWN BY : MAZZ	DESIGNED : W.C
CHECKED : MFB	APPROVED : T.C
SCALE : NOT TO SCALE	DATE : JAN 2018
DRAWING NO : SAJ/STD/CH/17 (01)	