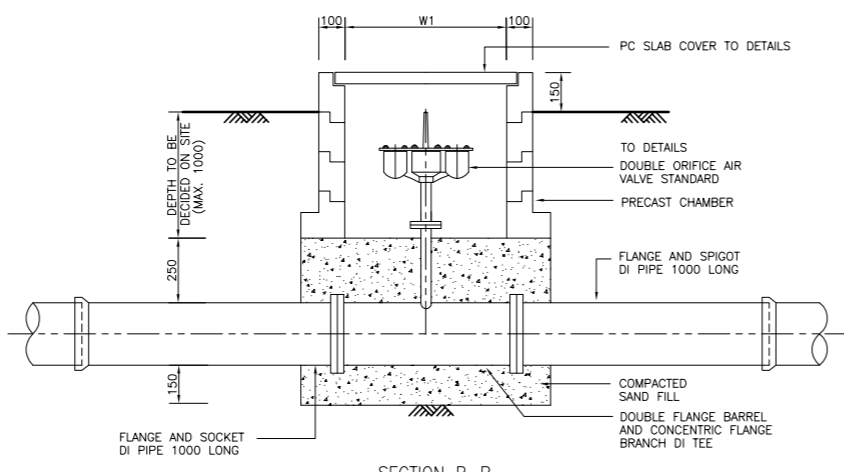
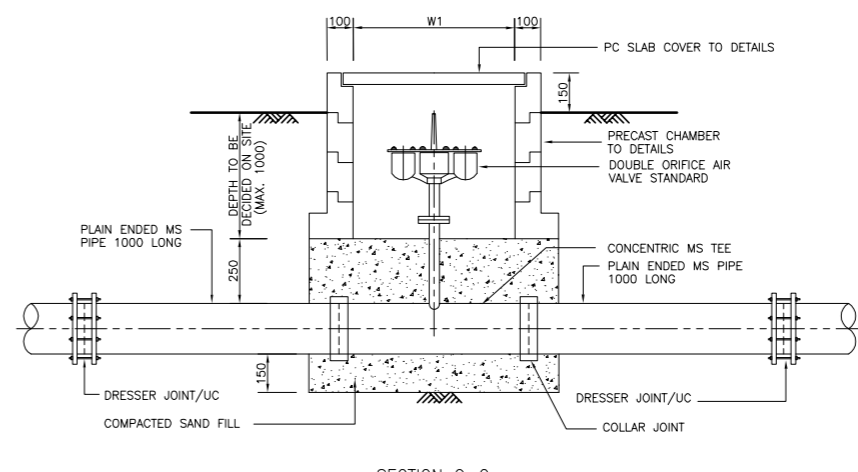


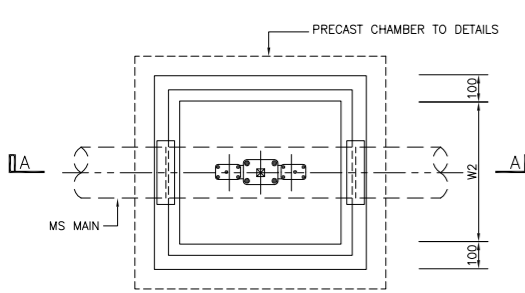
SECTION A-A



SECTION B-B

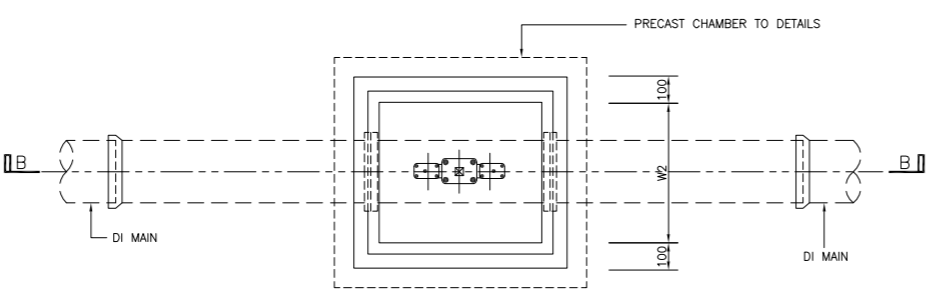


SECTION C-C



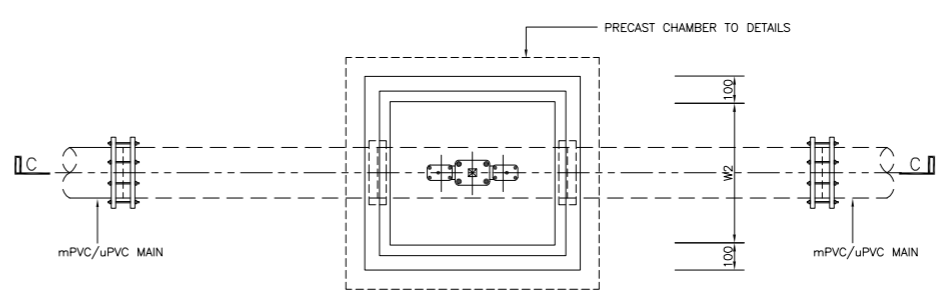
PLAN

DOUBLE ORIFICE AIR VALVE WITH PRECAST CHAMBER FOR MS MAIN



PLAN

DOUBLE ORIFICE AIR VALVE WITH PRECAST CHAMBER FOR DI MAIN



PLAN

DOUBLE ORIFICE AIR VALVE WITH PRECAST CHAMBER FOR uPVC/mPVC MAIN

AIR VALVE PRECAST CHAMBER				
MS/DI ND(mm)	INTERNAL DIM. W1 (mm)	INTERNAL DIM. W2 (mm)	AIR VALVE SIZE (mm)	EXTERNAL DIM. SIZE (mm)
150-300	640	560	50	840x760

AIR VALVE PRECAST CHAMBER				
uPVC ND(mm)	INTERNAL DIM. W1 (mm)	INTERNAL DIM. W2 (mm)	AIR VALVE SIZE (mm)	EXTERNAL DIM. SIZE (mm)
100-300	640	560	50	840x760

- NOTE:
1. ALL DIMENSIONS ARE IN MILLIMETRE AND LEVELS ARE IN METRE UNLESS OTHERWISE STATED.
 2. FOR DETAILS OF PC SLAB COVER REFER DRAWING No. STD/DWG/SAJH/11/2005
 3. ALL REINFORCED CONCRETE TO BE GRADE 25
 4. REINFORCEMENT TO COMPLY BS 4449
R WITH $f_y = 250N/mm^2$
T WITH $f_y = 450N/mm^2$

REV.	REVISED BY	DESCRIPTION	DATE
01	NORAZLIN	CHANGE LOGO	JAN 2018

Ranhill SAJ
SAJ Ranhill Sdn. Bhd. (476718-H)
 Jalan Garuda, Larkin, P.O Box 262,
 80350 Johor Bahru, Johor, Malaysia
 T_+607 - 224 4040 F_+607 - 224 0033
 1800-88-7474 sms 019-772 7474 www.sajranhill.com.my customer.care@saj.com.my

PROJECT :

DRAWING TITLE :
DETAILS OF AIR VALVE PRECAST CHAMBER

DRAWN BY : MAZZ	DESIGNED : W.C
CHECKED : MFB	APPROVED : T.C
SCALE : NOT TO SCALE	DATE : JAN 2018
DRAWING NO : SAJ/STD/CH/14 (01)	