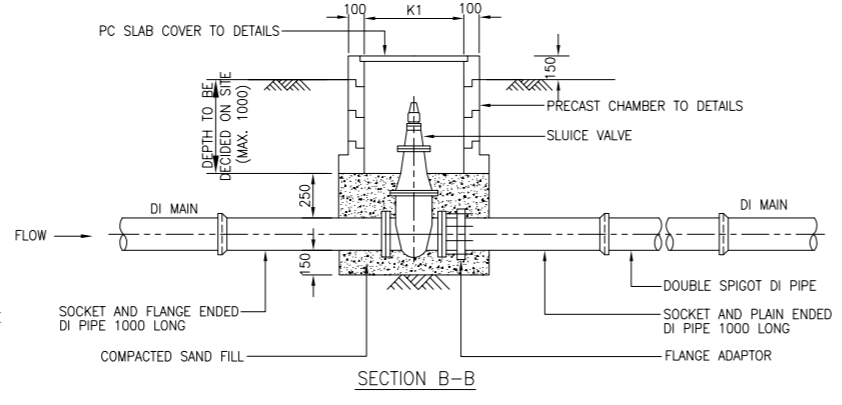
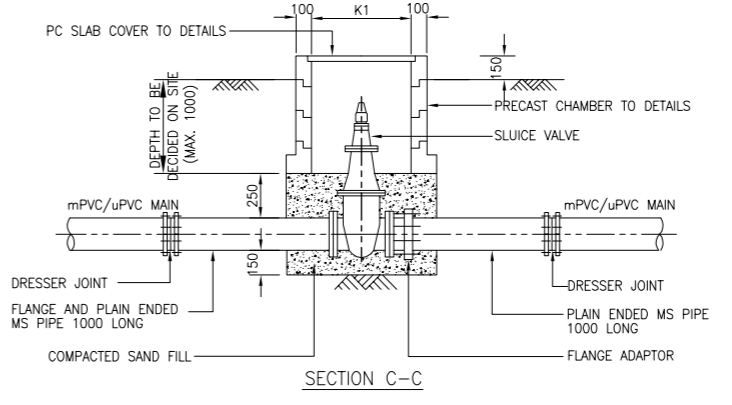


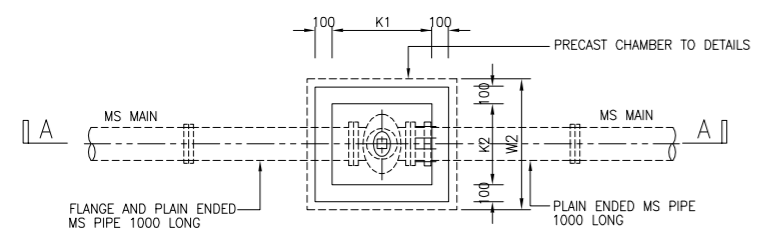
SECTION A-A



SECTION B-B

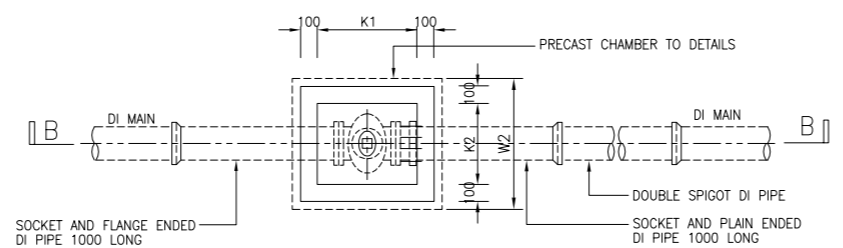


SECTION C-C



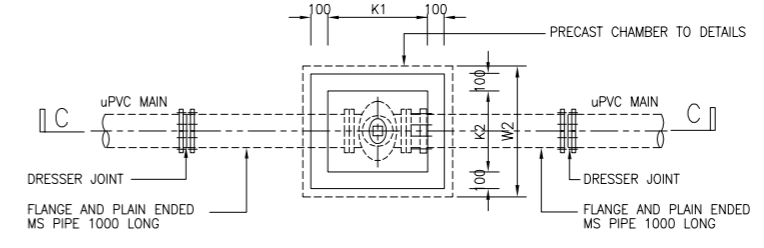
PLAN

SLUDGE VALVE PRECAST CHAMBER WITH MS PIPE ARRANGEMENT



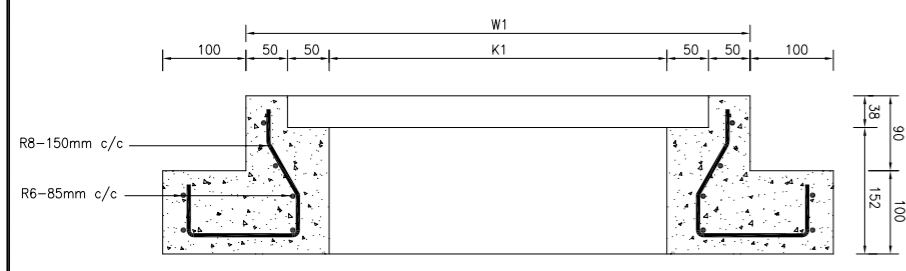
PLAN

SLUDGE VALVE PRECAST CHAMBER WITH DI PIPE ARRANGEMENT

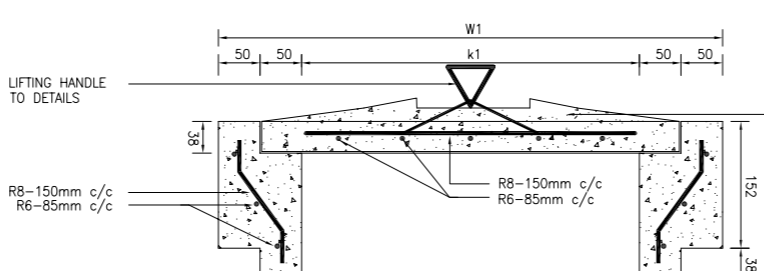


PLAN

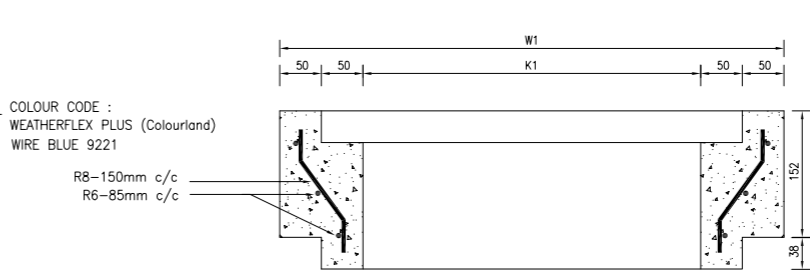
SLUDGE VALVE PRECAST CHAMBER WITH uPVC & mPVC PIPE ARRANGEMENT



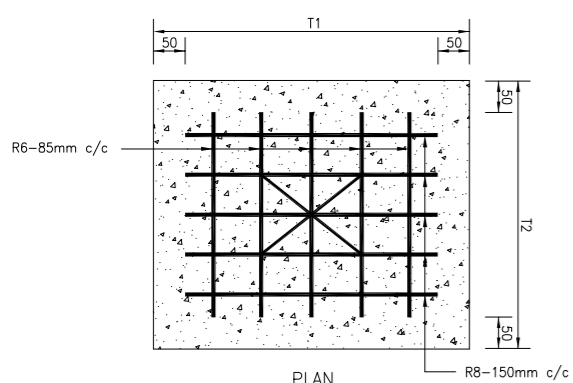
SECTION OF BOTTOM UNIT



SECTION OF TOP UNIT

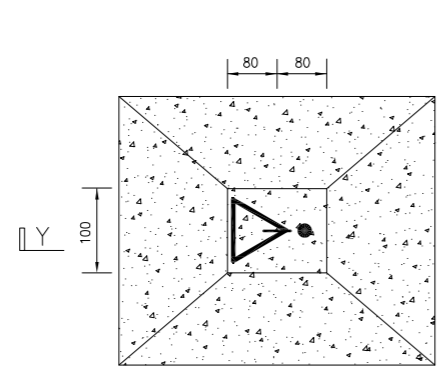


SECTION OF INTERMEDIATE UNIT

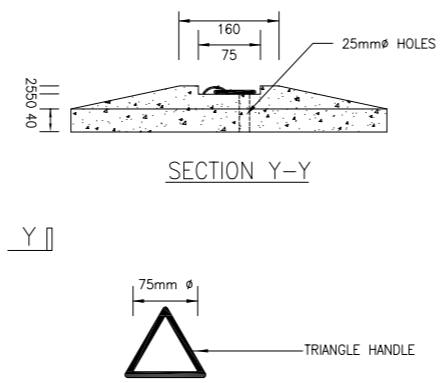


PLAN

REINFORCEMENT BAR FOR CHAMBER COVER AT ROAD SIDE (NOT SUITABLE IN CARRIAGEWAY)



DETAIL OF LIFTING HANDLE



SECTION Y-Y

DETAIL OF TRIANGLE HANDLE

TYPE	EXTERNAL SIZE PC CHAMBER		INTERNAL SIZE PC CHAMBER		TOP UNIT SIZE COVER		RECOMMENDED FOR PIPE DIAMETER
	W1	W2	K1	K2	T1	T2	
'A' FOR SLUDGE VALVE CHAMBER	605	530	405	330	495	440	150 - 300
'B' FOR AIR VALVE CHAMBER	840	760	640	560	730	650	150 - 300

- NOTE:
- ALL DIMENSIONS ARE IN MILLIMETRE AND LEVELS ARE IN METRE UNLESS OTHERWISE STATED
 - ALL REINFORCED CONCRETE TO BE GRADE 30
 - REINFORCEMENT TO COMPLY BS 4449
R WITH $f_y = 250N/mm^2$
T WITH $f_y = 460N/mm^2$
 - TYPE 'A' FOR SLUDGE VALVE CHAMBER.
TYPE 'B' FOR AIR VALVE CHAMBER.

REV.	REVISED BY	DESCRIPTION	DATE
01	NORAZLIN	CHANGE LOGO	JAN 2018

Ranhill SAJ
SAJ Ranhill Sdn. Bhd. (476718-H)
Jalan Garuda, Larkin, P.O Box 262,
80350 Johor Bahru, Johor, Malaysia
T_+607 - 224 4040 F_+607 - 224 0033
1800-88-7474 sms 019-772 7474 www.sajranhill.com.my customer.care@saj.com.my

PROJECT:

DRAWING TITLE:
DETAIL SLUDGE VALVE PRECAST CHAMBER AND PRECAST CHAMBER DETAILS

DRAWN BY : MAZZ	DESIGNED : W.C
CHECKED : MFB	APPROVED : T.C
SCALE : NOT TO SCALE	DATE : JAN 2018
DRAWING NO : SAJ/STD/CH/13 (01)	