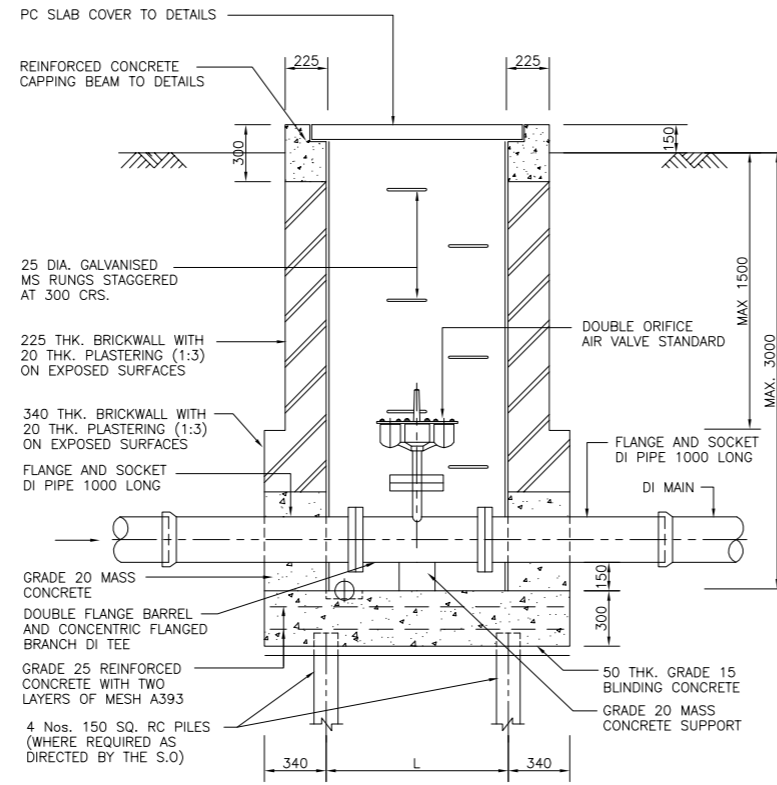
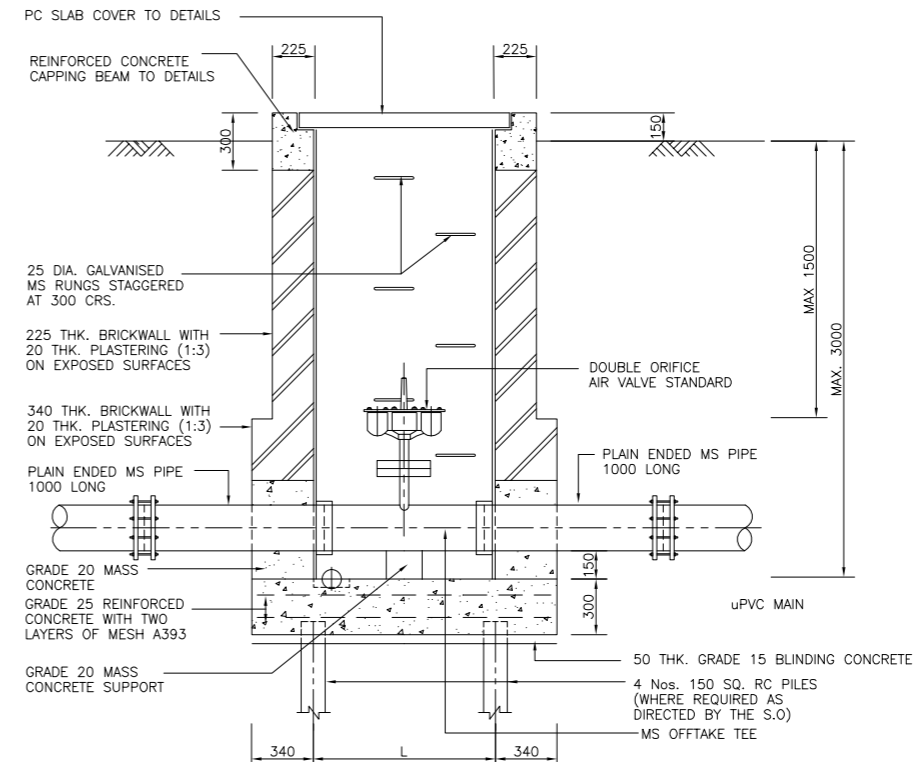


SECTION A-A

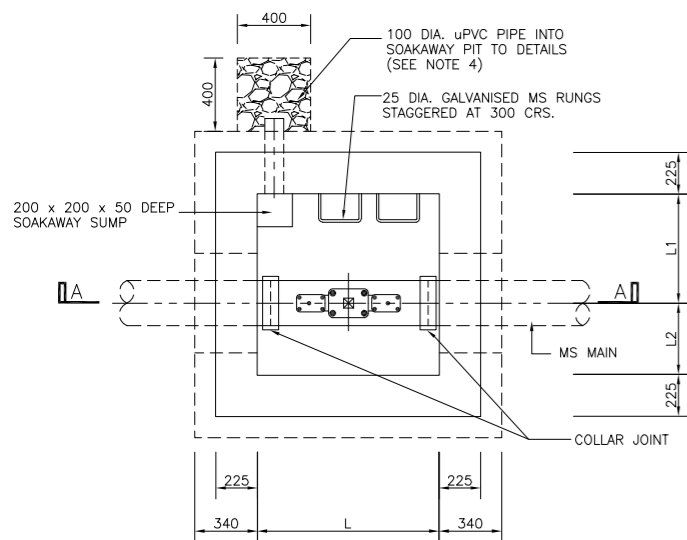


SECTION B-B

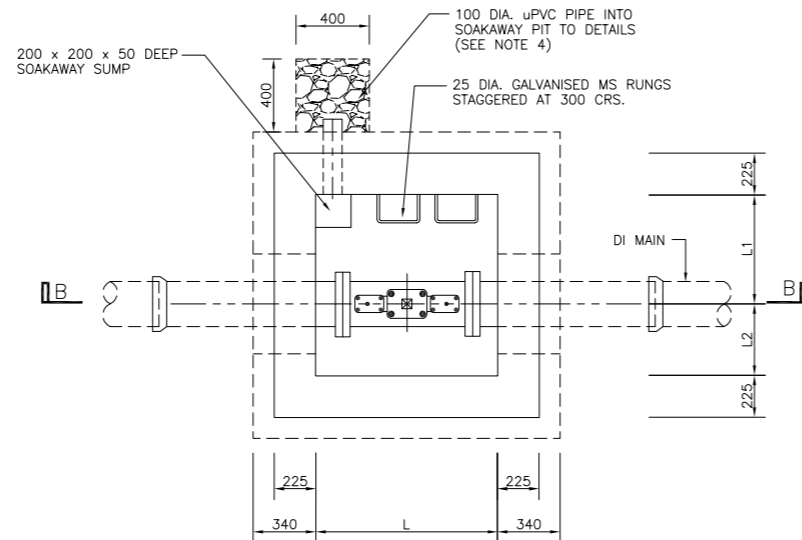


SECTION C-C

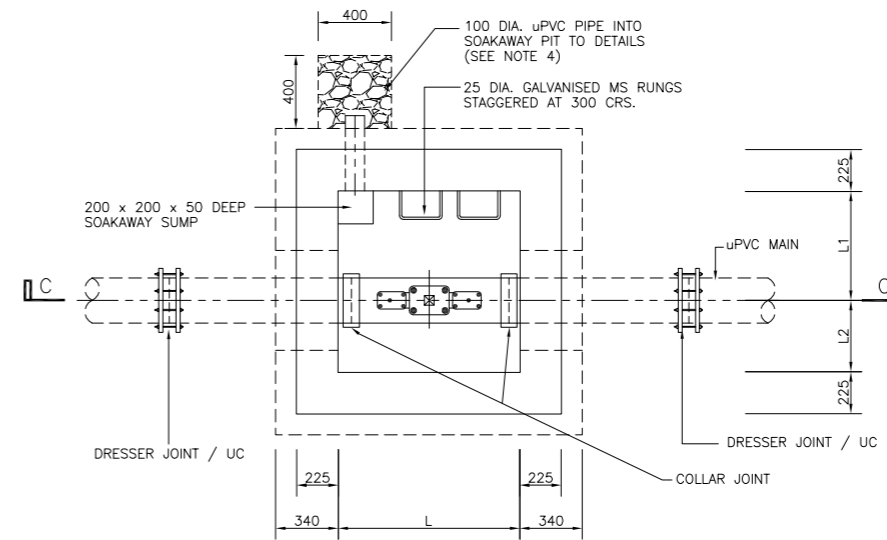
AIR VALVE BRICKWALL CHAMBER						
MS/DI PIPE ND (mm)	uPVC PIPE ND (mm)	L (mm)	L1 (mm)	L2 (mm)	DIA. OF DOUBLE ORIFICE AIR VALVE (mm)	
-	100-200	900	600	400	50	
100-350	-	900	600	400	50	
400-500	-	1000	600	400	80	
600	-	1000	600	500	100	



PLAN
DOUBLE ORIFICE AIR VALVE
BRICKWALL CHAMBER WITH MS PIPE ARRANGEMENT



PLAN
DOUBLE ORIFICE AIR VALVE
BRICKWALL CHAMBER WITH DI PIPE ARRANGEMENT



PLAN
DOUBLE ORIFICE AIR VALVE BRICKWALL
CHAMBER WITH uPVC & mPVC PIPE ARRANGEMENT

NOTE:

- 1) ALL DIMENSIONS ARE IN MILLIMETRE AND LEVELS ARE IN METRE UNLESS OTHERWISE STATED
- 2) ALL CONCRETE TO BE GRADE 25 UNLESS OTHERWISE STATED.
- 3) ALL GRAVEL SOAKAWAY TO BE WRAPPED WITH TWO LAYERS OF APPROVED FILTER CLOTH.
- 4) THE uPVC DRAIN PIPE AND SOAKAWAY SHALL ONLY BE PROVIDED IF THE GROUND WATER TABLE IS LOWER THAN THE INVERT LEVEL OF THE CHAMBER AS DIRECTED BY THE S.O.
- 5) BRICKWALL CHAMBER TO BE USED IN LOCATIONS NOT SUITABLE FOR PRECAST CHAMBERS AS DECIDED BY S.O.
- 6) FOR DETAILS OF PC SLAB COVER AND CAPPING BEAM, REFER DRG. No.SAJ/STD/CH/02

REV.	REVISED BY	DESCRIPTION	DATE
01	NORAZLIN	CHANGE LOGO	JAN 2018

Ranhill SAJ
SAJ Ranhill Sdn. Bhd. (476718-H)
Jalan Garuda, Larkin, P.O Box 262,
80350 Johor Bahru, Johor, Malaysia
T_+607-224 4040 F_+607-224 0033
1800-88-7474 sms 019-772 7474 www.sajranhill.com.my customer.care@saj.com.my

PROJECT :

DRAWING TITLE :
DETAILS OF AIR VALVE BRICKWALL CHAMBER

DRAWN BY : MAZZ DESIGNED : W.C
CHECKED : MFB APPROVED : T.C
SCALE : NOT TO SCALE DATE : JAN 2018
DRAWING NO : SAJ/STD/CH/11 (01)