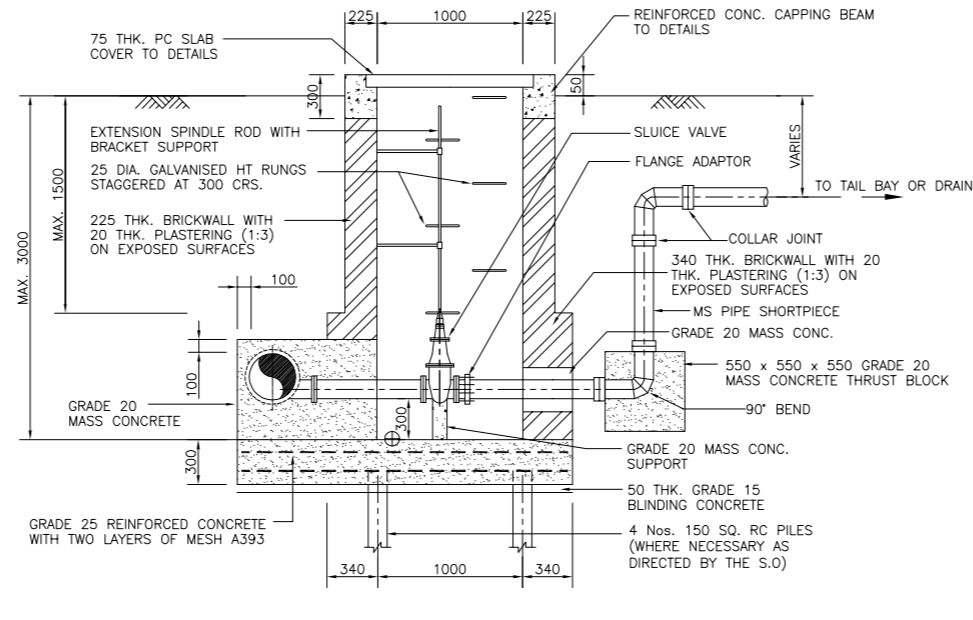
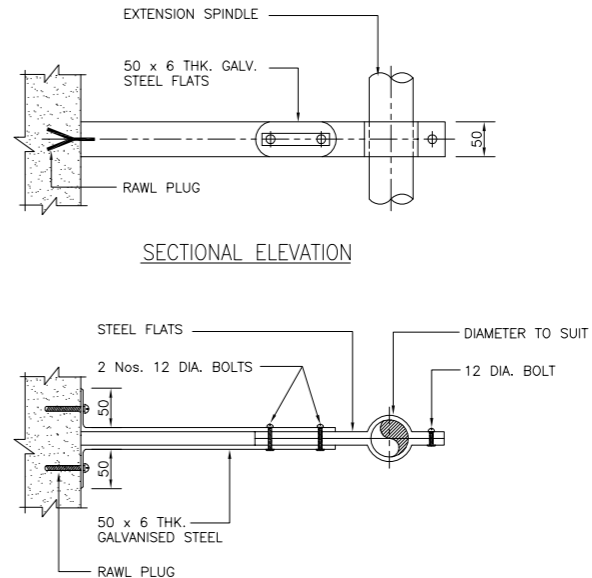


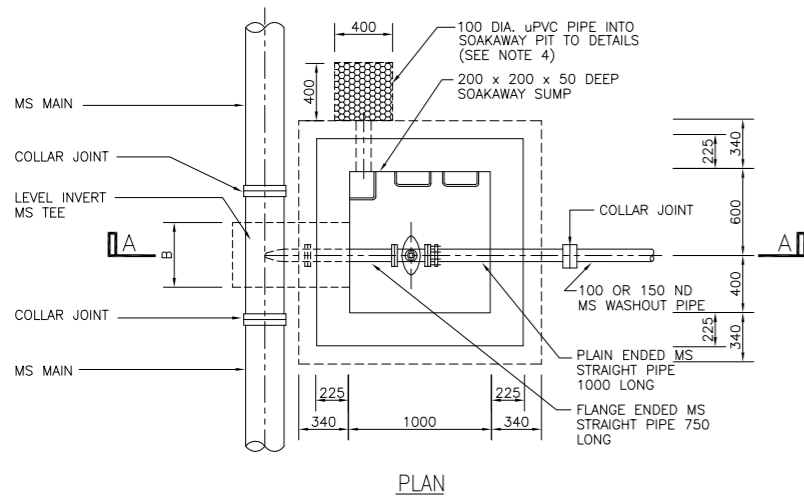
SECTION A-A



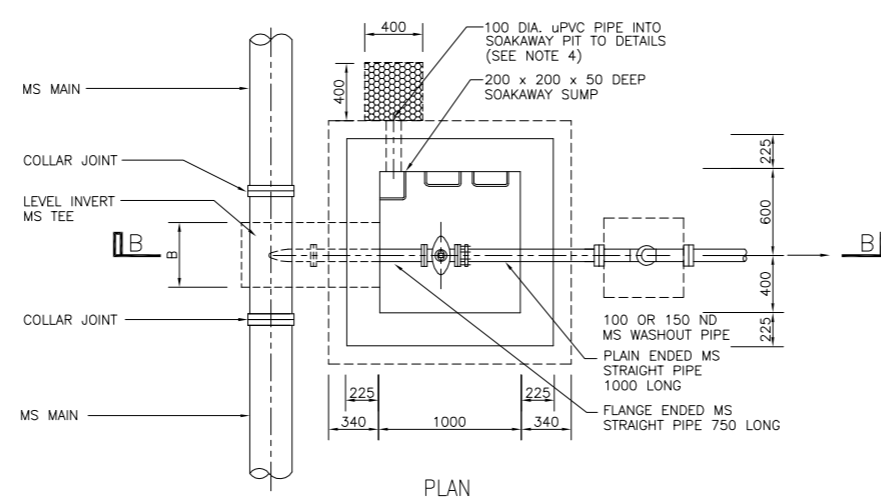
SECTION B-B



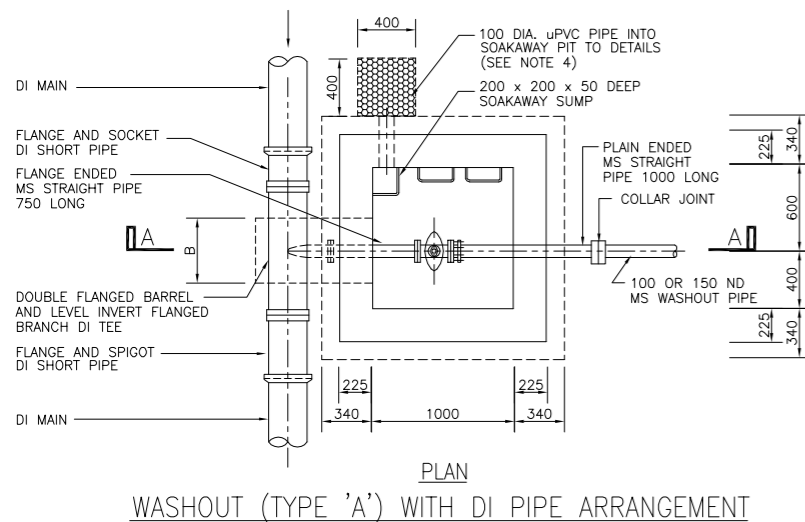
SECTIONAL ELEVATION
SECTIONAL PLAN
DETAILS OF BRACKET FOR EXTENSION SPINDLE
SCALE B



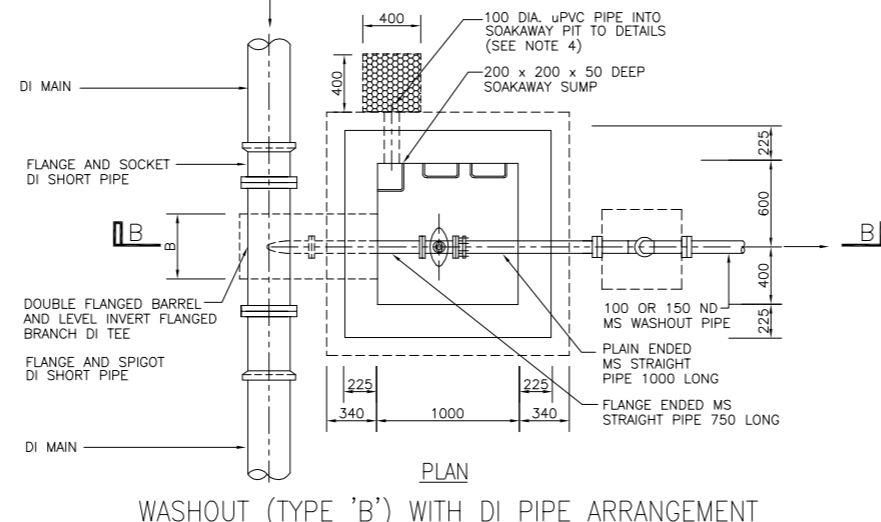
PLAN
WASHOUT (TYPE 'A') WITH MS PIPE ARRANGEMENT
SCALE A



PLAN
WASHOUT (TYPE 'B') WITH MS PIPE ARRANGEMENT
SCALE A



PLAN
WASHOUT (TYPE 'A') WITH DI PIPE ARRANGEMENT
SCALE A



PLAN
WASHOUT (TYPE 'B') WITH DI PIPE ARRANGEMENT
SCALE A

WASHOUT SCHEDULE		
TYPE	MAIN PIPE DIA. (mm)	WASHOUT TEE BRANCH DIA. (mm)
A AND B	100 - 400	100
	450 - 400	150

THRUST BLOCK FOR WASHOUT TEE (CHAMBER TYPE 'A' AND TYPE 'B')	
BRANCH PIPE NO (mm)	B (mm)
150	450
100	400

- NOTE:
- ALL DIMENSIONS ARE IN MILLIMETRE AND LEVELS IN METRE UNLESS OTHERWISE STATED.
 - ALL CONCRETE TO BE GRADE 25 UNLESS OTHERWISE STATED.
 - ALL GRAVEL SOAKAWAY TO BE WRAPPED WITH TWO LAYERS OF APPROVED FILTER CLOTH.
 - THE uPVC DRAIN PIPE AND SOAKAWAY SHALL ONLY BE PROVIDED IF THE GROUND WATER TABLE IS LOWER THAN THE INVERT LEVEL OF THE CHAMBER AS DIRECTED BY THE SO.
 - FOR DETAILS OF PC SLAB COVER AND CAPPING BEAM REFER DRG. No.

REV.	REVISED BY	DESCRIPTION	DATE
01	NORAZLIN	CHANGE LOGO	JAN 2018

Ranhill SAJ
SAJ Ranhill Sdn. Bhd. (476718-H)
Jalan Garuda, Larkdn, P.O Box 262,
80350 Johor Bahru, Johor, Malaysia
T_+607 - 224 4040 F_+607 - 224 0033
1800-88-7474 sms 019-772 7474 www.sajranhill.com.my customer.care@saj.com.my

PROJECT :

DRAWING TITLE :

DETAILS OF BRICKWALL WASHOUT CHAMBER WITH MS & DI PIPE ARRANGEMENT

DRAWN BY : MAZZ	DESIGNED : W.C
CHECKED : MFB	APPROVED : T.C
SCALE : NOT TO SCALE	DATE : JAN 2018
DRAWING NO:	SAJ/STD/CH/10 (01)