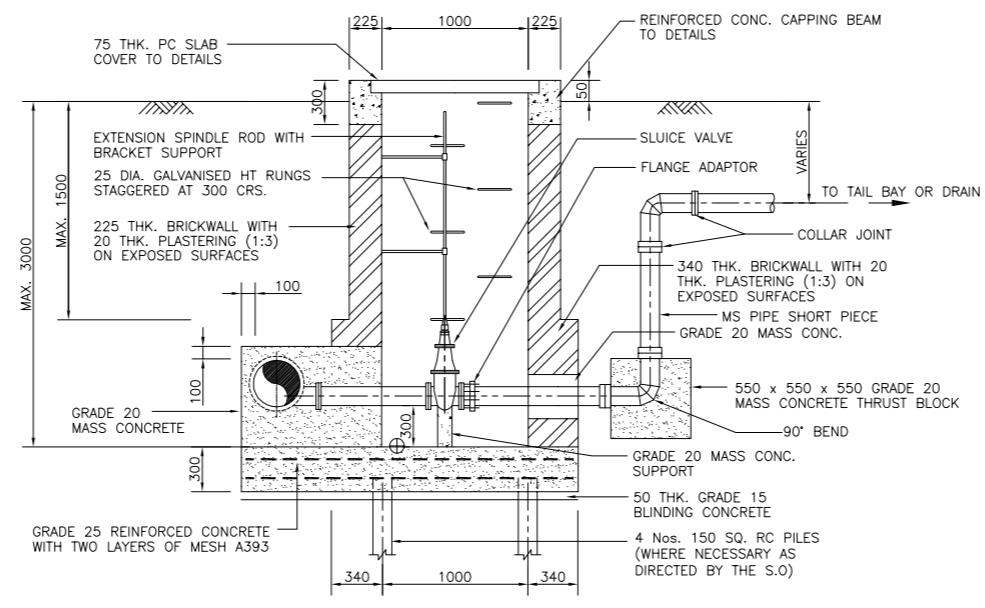
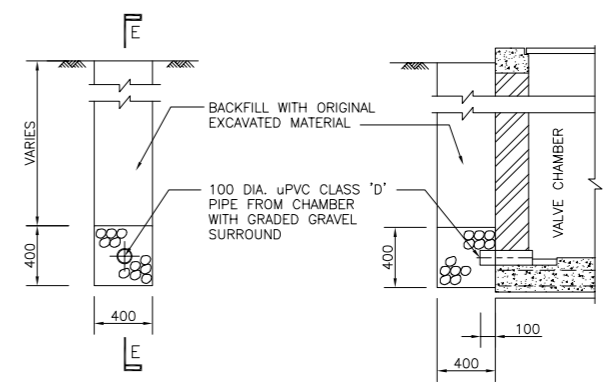


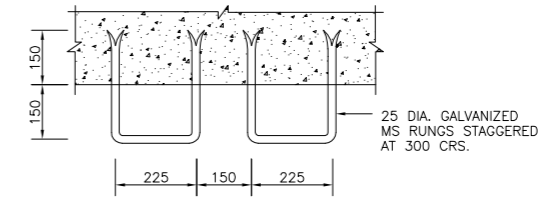
SECTION A-A



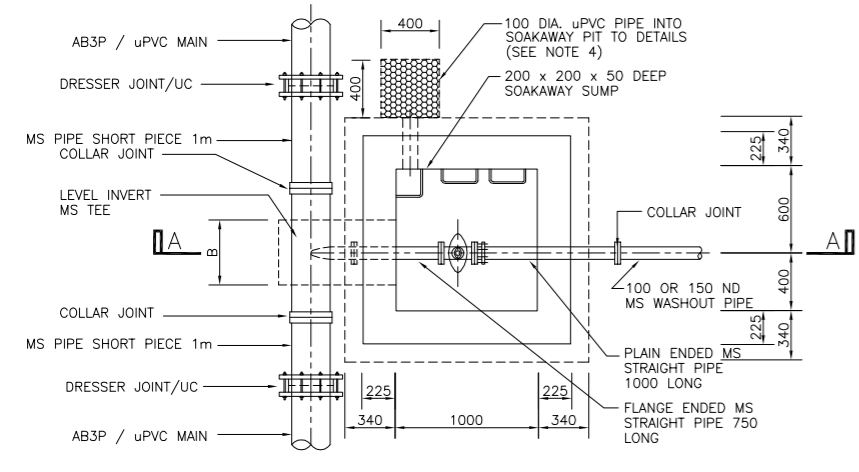
SECTION B-B



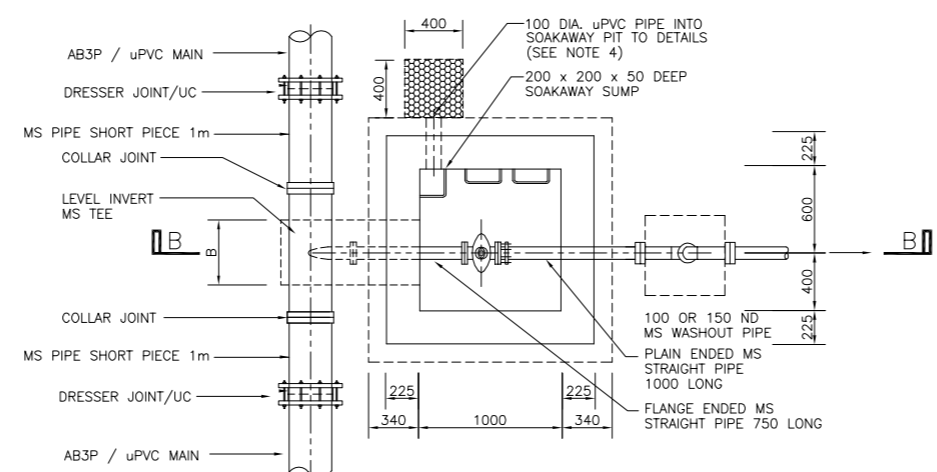
SECTIONAL ELEVATION SECTION E-E
DETAIL OF SOAKAWAY PIT
SCALE A



DETAIL OF STAGGERED GALVANIZED STEP-IRON
SCALE B



PLAN
WASHOUT (TYPE 'A') WITH uPVC & mPVC PIPE ARRANGEMENT
SCALE A



PLAN
WASHOUT (TYPE 'B') WITH uPVC & mPVC PIPE ARRANGEMENT
SCALE A

WASHOUT SCHEDULE		
TYPE	MAIN PIPE DIA. (mm)	WASHOUT TEE BRANCH DIA. (mm)
A AND B	100 - 400	100
	450 - 400	150

THRUST BLOCK FOR WASHOUT TEE (CHAMBER TYPE 'A' AND TYPE 'B')	
BRANCH PIPE NO (mm)	B (mm)
150	450
100	400

- NOTE:
- 1) ALL DIMENSIONS ARE IN MILLIMETRE AND LEVELS IN METRE UNLESS OTHERWISE STATED.
 - 2) ALL CONCRETE TO BE GRADE 25 UNLESS OTHERWISE STATED.
 - 3) ALL GRAVEL SOAKAWAY TO BE WRAPPED WITH TWO LAYERS OF APPROVED FILTER CLOTH.
 - 4) THE uPVC DRAIN PIPE AND SOAKAWAY SHALL ONLY BE PROVIDED IF THE GROUND WATER TABLE IS LOWER THAN THE INVERT LEVEL OF THE CHAMBER AS DIRECTED BY THE SO.
 - 5) FOR DETAILS OF PC SLAB COVER AND CAPPING BEAM REFER DRG. No. SAJH/SD/CH/01

REV.	REVISED BY	DESCRIPTION	DATE
01	NORAZLIN	CHANGE LOGO	JAN 2018

Ranhill SAJ
SAJ Ranhill Sdn. Bhd. (476718 - H)
Jalan Garuda, Larkin, P.O Box 262,
80350 Johor Bahru, Johor, Malaysia
T_+607 - 224 4040 F_+607 - 224 0033
1800-88-7474 sms 019-772 7474 www.sajranhill.com.my customer.care@saj.com.my

PROJECT :

DRAWING TITLE :
DETAILS OF BRICK WALL WASHOUT CHAMBER WITH uPVC & mPVC PIPE ARRANGEMENT

DRAWN BY : MAZZ	DESIGNED : W.C
CHECKED : MFB	APPROVED : T.C
SCALE : NOT TO SCALE	DATE : JAN 2018
DRAWING NO : SAJ/STD/CH/09 (01)	