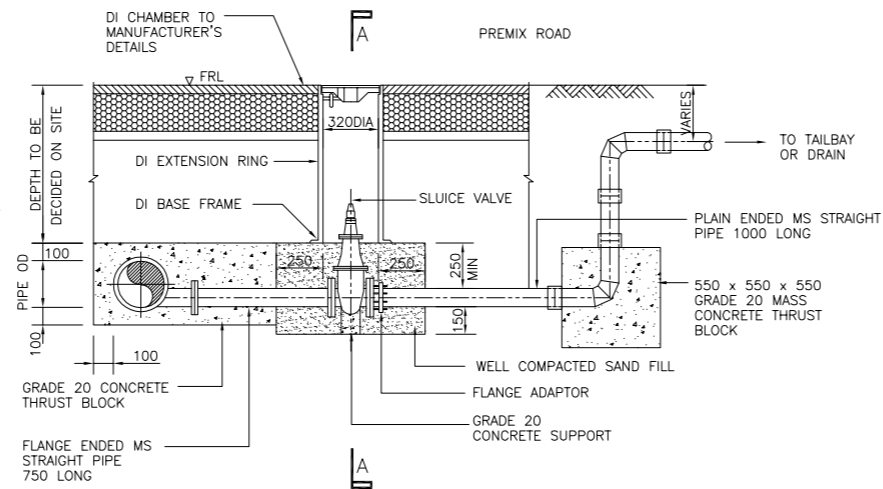
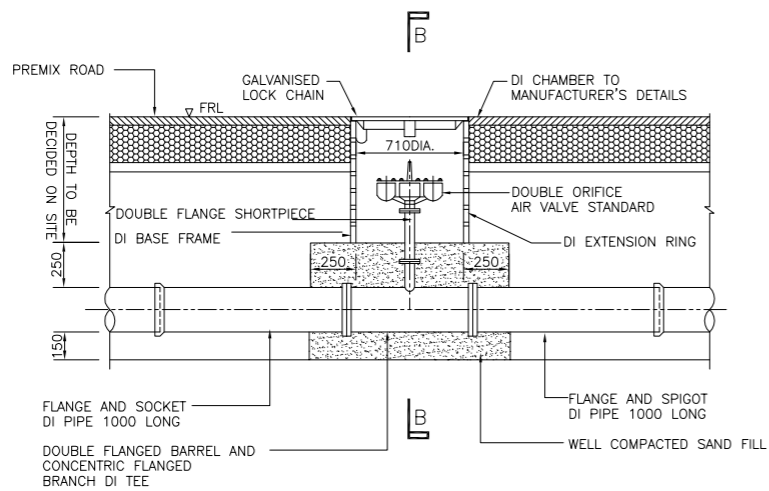
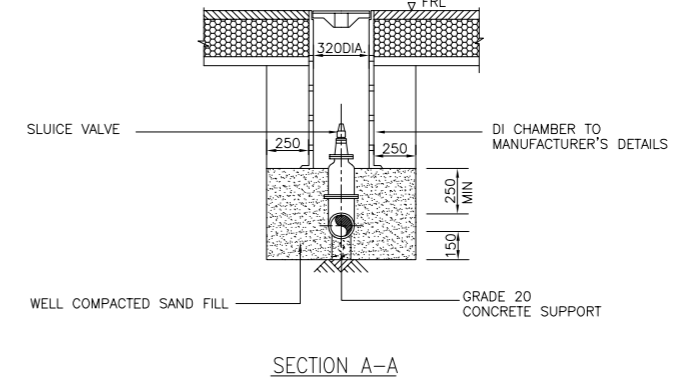


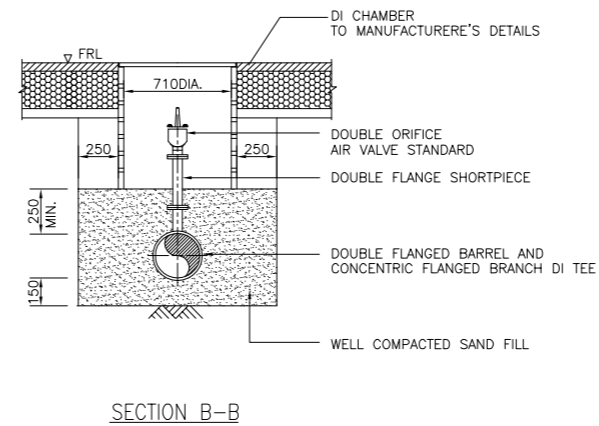
WASHOUT (DIRECT) WITH DI CHAMBER IN ROAD PAVEMENT



WASHOUT (INDIRECT) WITH DI CHAMBER IN ROAD PAVEMENT



DOUBLE ORIFICE AIR VALVE WITH DI CHAMBER IN ROAD PAVEMENT



TYPE	SIZE (mm)
WASHOUT	320 x 440(sq) x 60
DOUBLE AIR VALVE	710 x 710 x 100

- NOTE:
- 1) ALL DIMENSIONS ARE IN MILLIMETRE AND LEVELS ARE IN METRE UNLESS OTHERWISE STATED.
 - 2) PROVISION OF HEAVY DUTY DUCTILE IRON VALVE CHAMBER IN ROAD PAVEMENT SHALL BE CONFIRMED ON SITE BY THE S.O AND APPLICABLE ONLY TO PIPELINES UP TO 250mm DIA. MAX.
 - 3) THE BREAKING LOAD OF HEAVY DUTY DI COVER SHALL BE 40 TONNE MINIMUM.
 - 4) CONTRACTOR TO SUBMIT PARTICULARS OF THE DI CHAMBER FOR APPROVAL BY THE S.O PRIOR TO ORDERING OF MATERIAL.
 - 5) DENOTES DEPTH TO BE ADJUSTED ON SITE IN ORDER FOR THE HEAVY DUTY DI COVER TO BE FLUSHED WITH THE FINISHED ROAD LEVEL (FRL)

REV.	REVISED BY	DESCRIPTION	DATE
01	NORAZLIN	CHANGE LOGO	JAN 2018

Ranhill SAJ
SAJ Ranhill Sdn. Bhd. (476718-H)
 Jalan Garuda, Larkin, P.O Box 262,
 80350 Johor Bahru, Johor, Malaysia
 T_+607-224 4040 F_+607-224 0033
 1800-88-7474 sms 019-772 7474 www.sajranhill.com.my customer.care@saj.com.my

PROJECT :

DRAWING TITLE :
 DETAILS OF WASHOUT AND AIR VALVE
 HEAVY DUTY D.I CHAMBER IN ROAD PAVEMENT

DRAWN BY : MAZZ DESIGNED : W.C
 CHECKED : MFB APPROVED : T.C
 SCALE : NOT TO SCALE DATE : JAN 2018
 DRAWING NO : SAJ/STD/CH/08 (01)