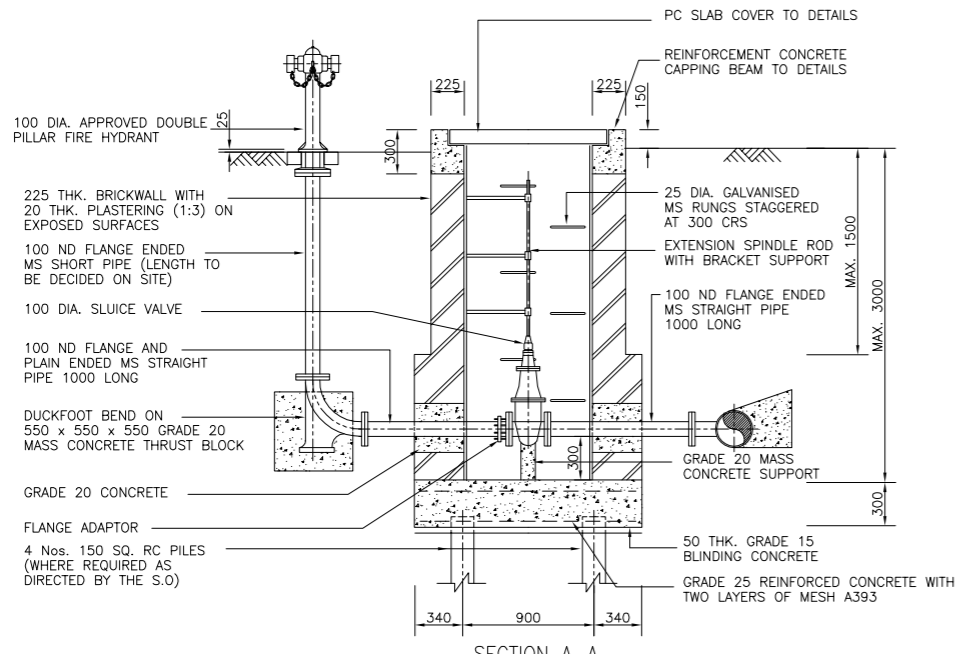
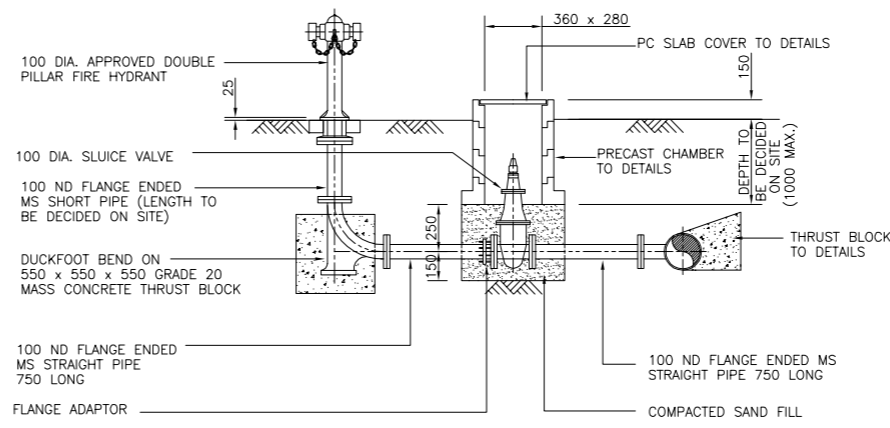


NOTE:

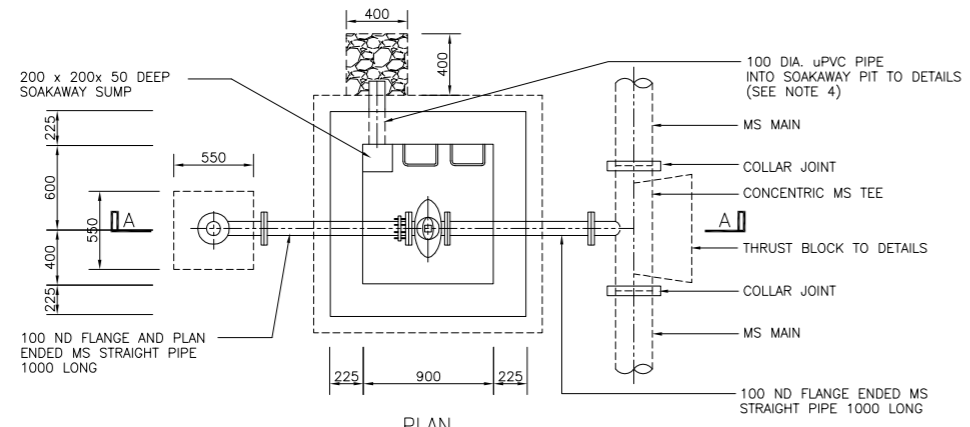
- 1) ALL DIMENSIONS ARE IN MILLIMETRE AND LEVELS ARE IN METRE UNLESS OTHERWISE STATED
- 2) ALL CONCRETE TO BE GRADE 25 UNLESS OTHERWISE STATED.
- 3) ALL GRAVEL SOAKAWAY TO BE WRAPPED WITH TWO LAYERS OF APPROVED FILTER CLOTH.
- 4) THE uPVC DRAIN PIPE AND SOAKAWAY SHALL ONLY BE PROVIDED IF THE GROUND WATER TABLE IS LOWER THAN THE INVERT LEVEL OF THE CHAMBER AS DIRECTED BY THE S.O.
- 5) FOR RC DETAILS OF PRECAST CHAMBER, REFER DRG. No.
- 6) BRICKWALL CHAMBER TO BE USED IN LOCATIONS NOT SUITABLE FOR PRECAST CHAMBERS AS DECIDED BY S.O.
- 7) FOR DETAILS OF PC SLAB COVER REFER DRG. No. SAJ/STD/CH/02



SECTION A-A

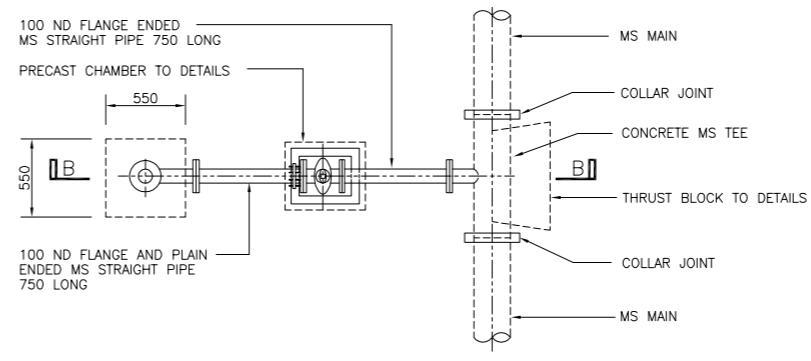


SECTION B-B



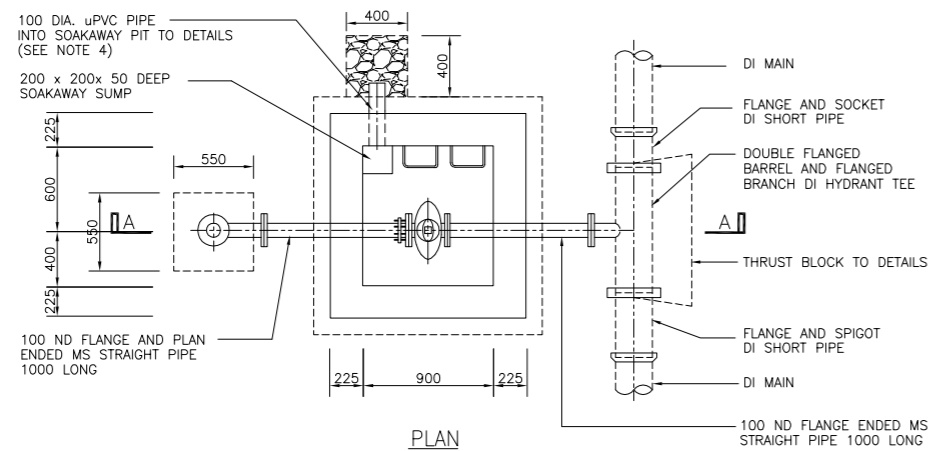
PLAN

FIRE HYDRANT BRICKWALL CHAMBER WITH MS PIPE ARRANGEMENT



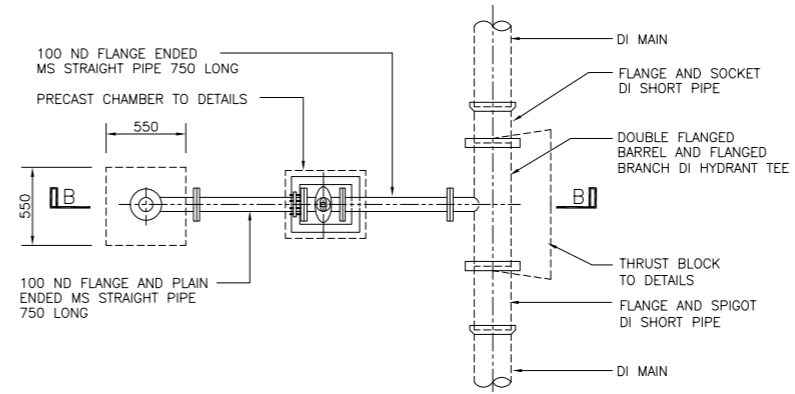
PLAN

FIRE HYDRANT PRECAST CHAMBER WITH MS PIPE ARRANGEMENT



PLAN

FIRE HYDRANT BRICKWALL CHAMBER WITH DI PIPE ARRANGEMENT



PLAN

FIRE HYDRANT PRECAST CHAMBER WITH DI PIPE ARRANGEMENT

REV.	REVISED BY	DESCRIPTION	DATE
01	NORAZLIN	CHANGE LOGO	JAN 2018



**Ranhill SAJ**  
**SAJ Ranhill Sdn. Bhd.** (476718-H)  
 Jalan Garuda, Larkin, P.O Box 262,  
 80350 Johor Bahru, Johor, Malaysia  
 T: +607 - 224 4040 F: +607 - 224 0033  
 1800-88-7474 sms 019-772 7474 www.sajrnhill.com.my customer.care@saj.com.my

PROJECT :

DRAWING TITLE :  
**DETAILS OF FIRE HYDRANT & CHAMBER (DI & MS PIPE)**

DRAWN BY : MAZZ	DESIGNED : W.C
CHECKED : MFB	APPROVED : T.C
SCALE : NOT TO SCALE	DATE : JAN 2018
DRAWING NO : SAJ/STD/CH/07(01)	