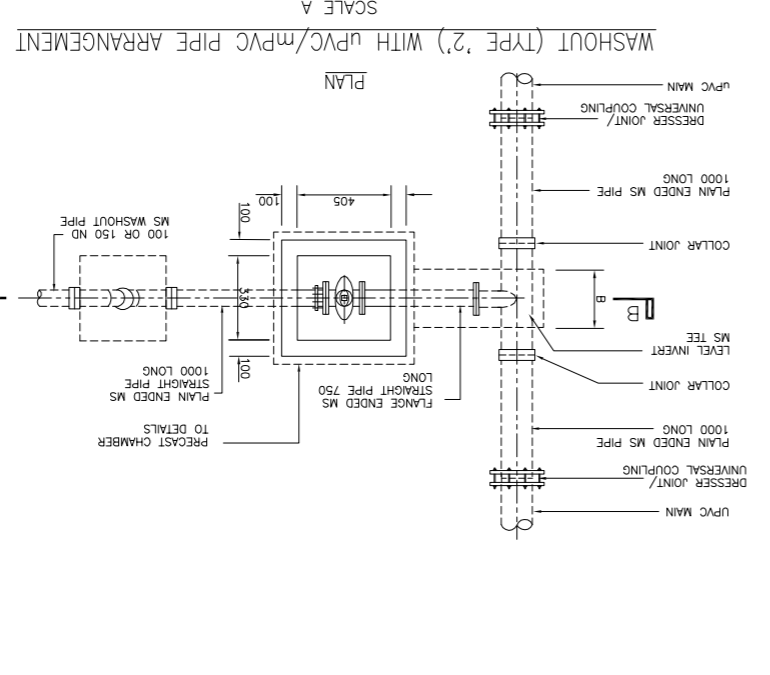
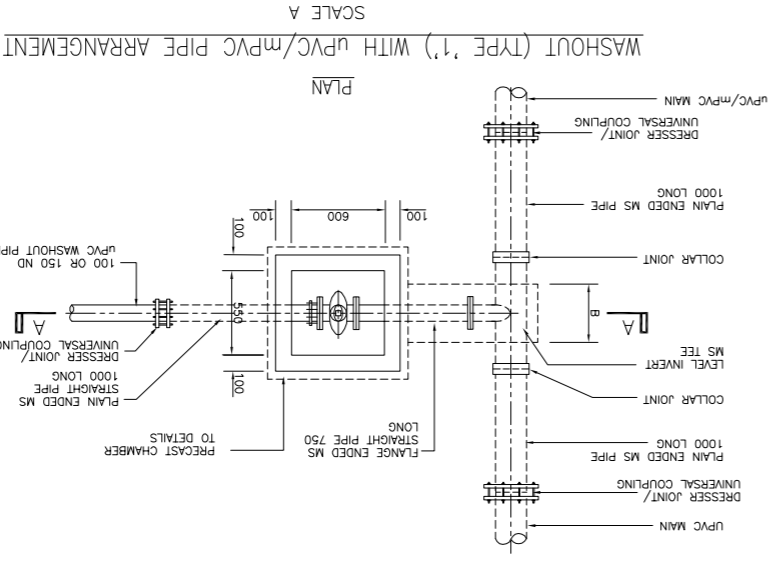


DATE	DESCRIPTION	REV.	REVISOR	NO.
JAN 2018	CHANGE LOGO	01	NORAZLIN	

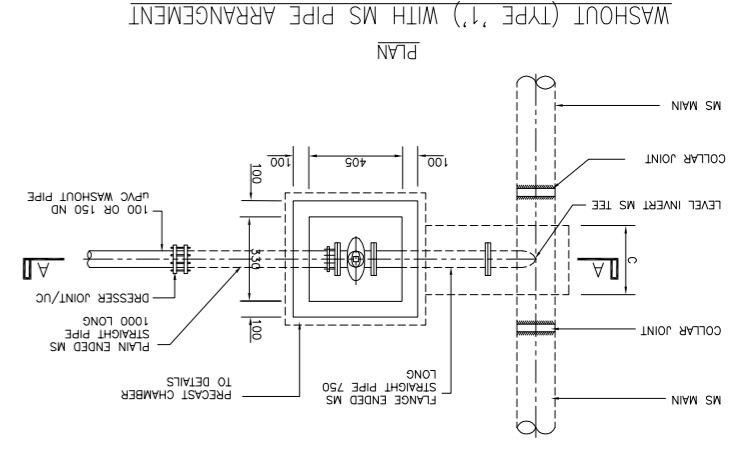
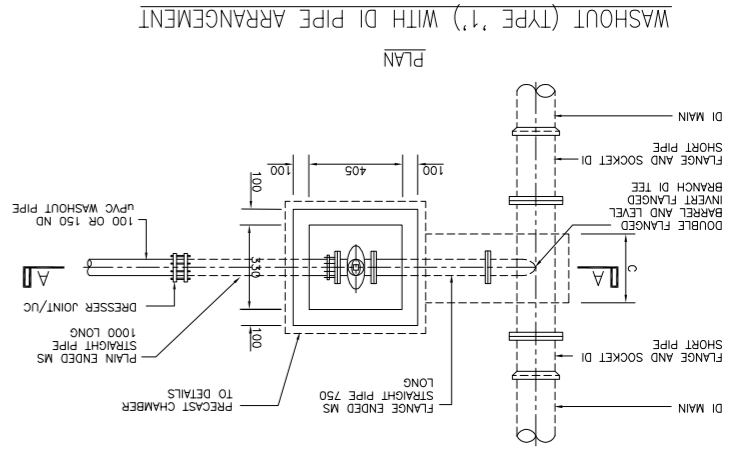
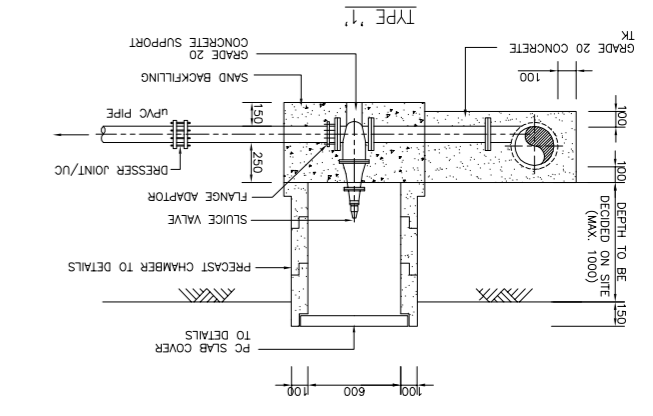
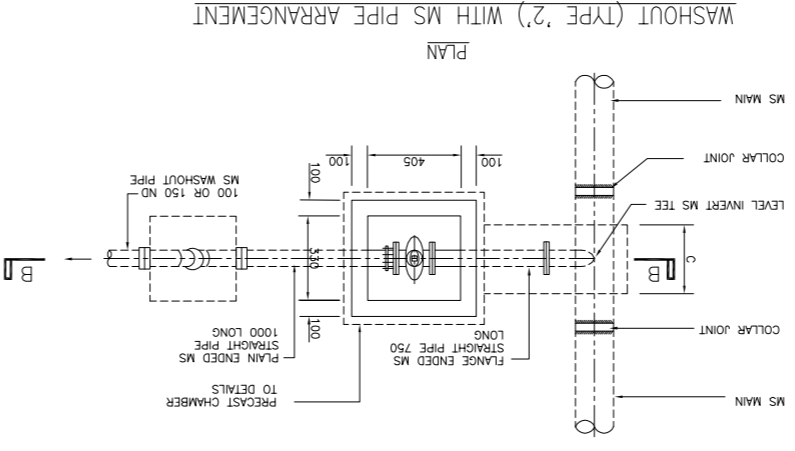
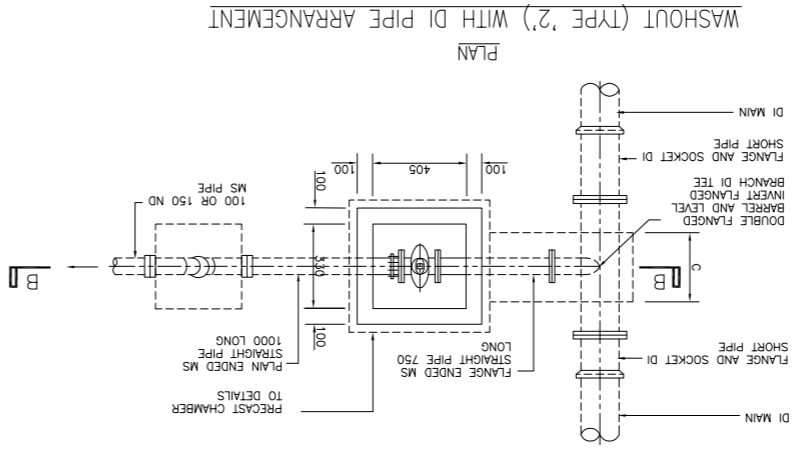
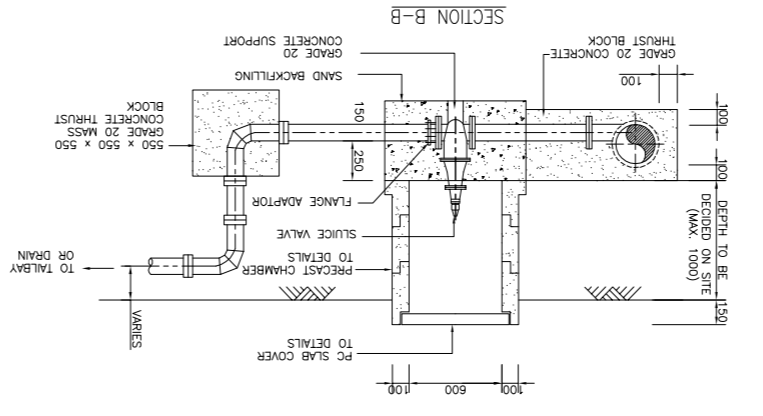
PROJECT :	SAJ Ronhill Sdn. Bhd. (476718-H) Jalan Garuda, Larkin, P.O. Box 262 80350 Johor Bahru, Johor, Malaysia T. +607 - 224 4040 F. +607 - 224 0033 1600-862474 sms 019-772 7474 www.sajrnhill.com.my customer.care@saj.com.my
DRAWING TITLE :	DETAILS OF WASHOUT (PRECAST CHAMBER)
DRAWING NO. :	SAJ/STD/CH/03 (01)

DATE	DESCRIPTION	REV.	REVISOR	NO.
JAN 2018	CHANGE LOGO	01	NORAZLIN	



BRANCH PIPE DIA (mm)	100
450	
400	

TYPE	450 - 600
1 AND 2	
MAIN PIPE DIA (mm)	100 - 400
BRANCH DIA WASHOUT TEE	100

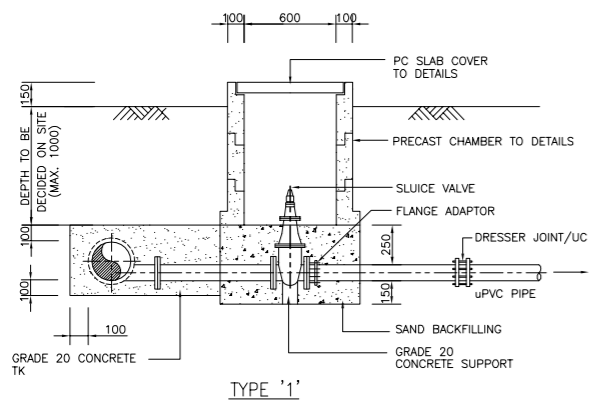


NOTE :

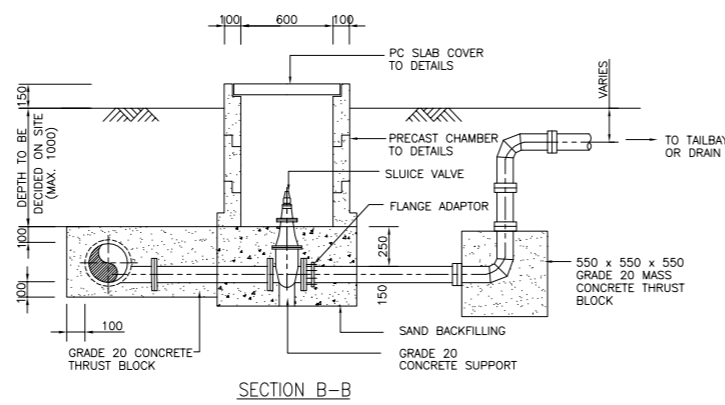
- 1) ALL DIMENSIONS ARE IN MILLIMETRE AND LEVEL IN METRE UNLESS OTHERWISE STATED
- 2) FOR RC DETAILS OF PRECAST CHAMBER, REFER DRAWING NO.
- 3) FOR DETAILS OF PC SLAB COVER, REFER DRAWING NO. SAJ/STD/CH/02



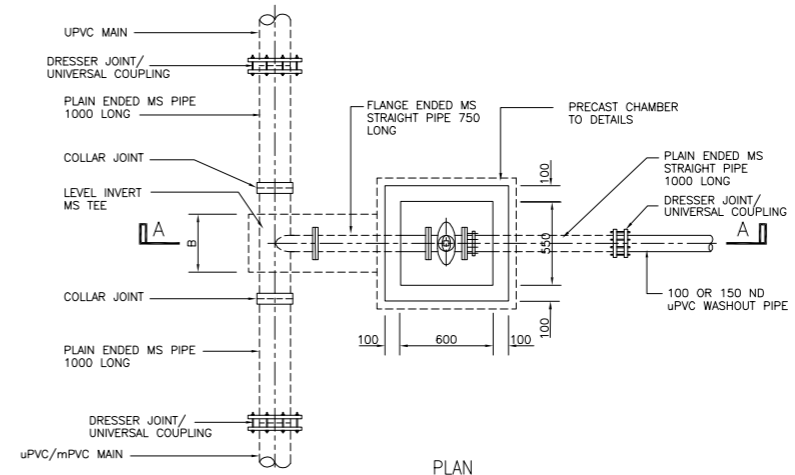
SAJ Ronhill Sdn. Bhd. (476718-H)
Jalan Garuda, Larkin, P.O. Box 262
80350 Johor Bahru, Johor, Malaysia
T. +607 - 224 4040 F. +607 - 224 0033
1600-862474 sms 019-772 7474 www.sajrnhill.com.my customer.care@saj.com.my



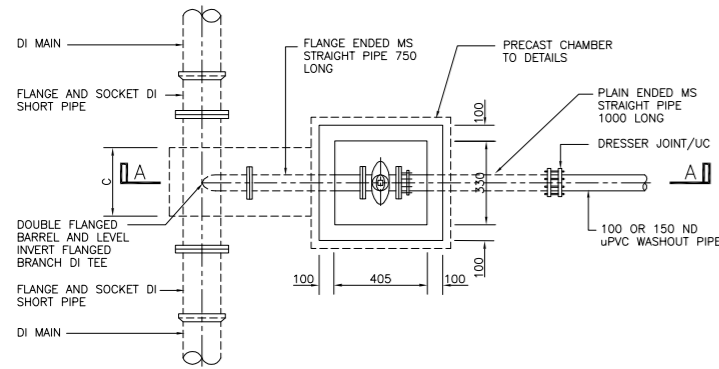
TYPE '1'



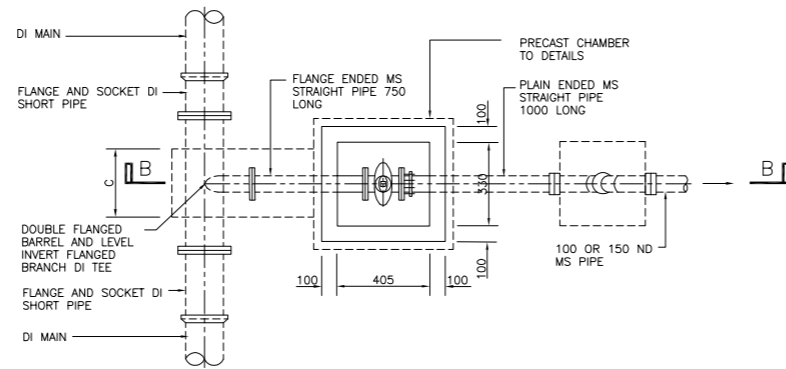
SECTION B-B



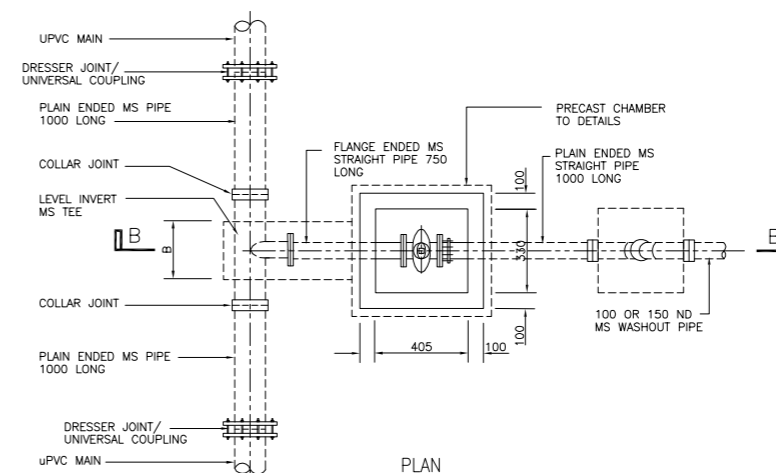
WASHOUT (TYPE '1') WITH uPVC/mPVC PIPE ARRANGEMENT
SCALE A



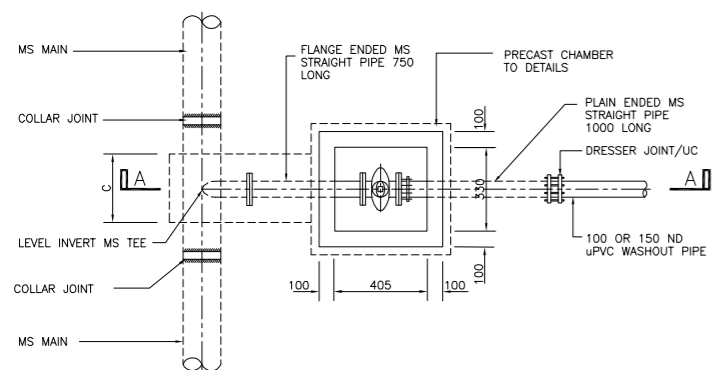
WASHOUT (TYPE '1') WITH DI PIPE ARRANGEMENT



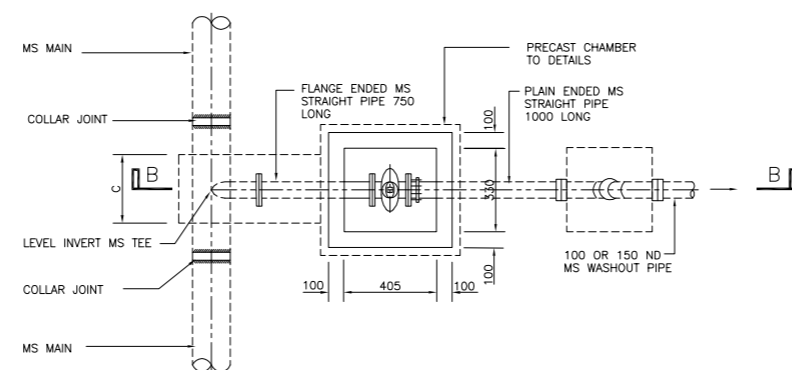
WASHOUT (TYPE '2') WITH DI PIPE ARRANGEMENT



WASHOUT (TYPE '2') WITH uPVC/mPVC PIPE ARRANGEMENT
SCALE A



WASHOUT (TYPE '1') WITH MS PIPE ARRANGEMENT



WASHOUT (TYPE '2') WITH MS PIPE ARRANGEMENT

THRUST BLOCK FOR WASHOUT TEE (CHAMBER TYPE '1' AND TYPE '2')	
BRANCH PIPE ND (mm)	C (mm)
150	450
100	400

WASHOUT SCHEDULE		
TYPE	MAIN PIPE DIA. (mm)	WASHOUT TEE BRANCH DIA. (mm)
1 AND 2	100 - 400	100
	450 - 600	150

- NOTE :
- 1) ALL DIMENSIONS ARE IN MILLIMETRE AND LEVEL IN METRE UNLESS OTHERWISE STATED
 - 2) FOR RC DETAILS OF PRECAST CHAMBER, REFER DRAWING No.
 - 3) FOR DETAILS OF PC SLAB COVER, REFER DRAWING No. SAJ/STD/CH/02

REV.	REVISED BY	DESCRIPTION	DATE
01	NORAZLIN	CHANGE LOGO	JAN 2018

SAJ Ranhill Sdn. Bhd. (476718-H)
 Jalan Garuda, Larkin, P.O Box 262,
 80350 Johor Bahru, Johor, Malaysia
 T_+607-224 4040 F_+607-224 0033
 1800-88-7474 sms 019-772 7474 www.sajranhill.com.my customer.care@saj.com.my

PROJECT :

DRAWING TITLE :
**DETAILS OF WASHOUT
 (PRECAST CHAMBER)**

DRAWN BY : MAZZ DESIGNED : W.C
 CHECKED : MFB APPROVED : T.C
 SCALE : NOT TO SCALE DATE : JAN 2018
 DRAWING NO : SAJ/STD/CH/03 (01)