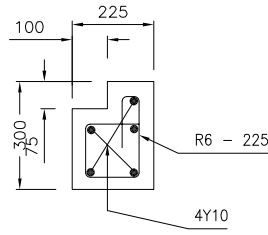
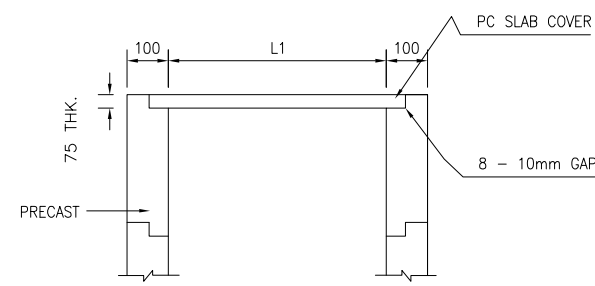


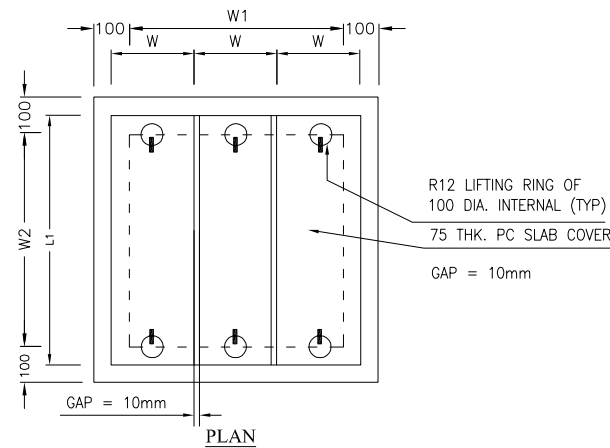
SECTION A - A



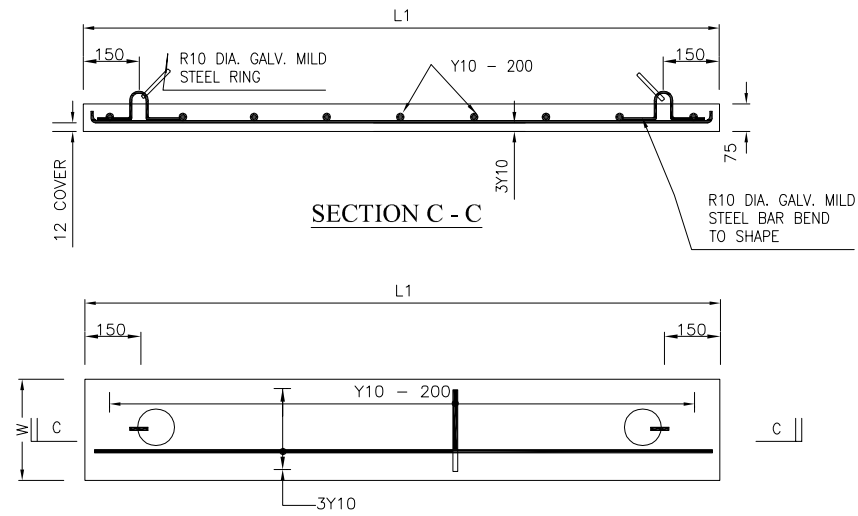
DETAIL 'X'



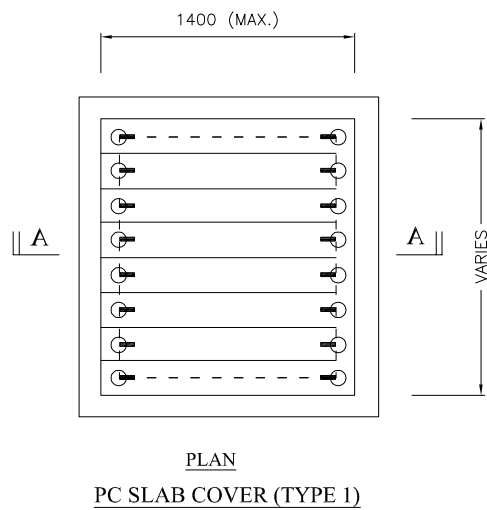
SECTION A - A



DETAILS OF PRECAST CHAMBER COVER



RC DETAILS OF PC SLAB COVER



PC SLAB COVER (TYPE 1)

SCHEDULE OF PRECAST SLAB COVER					
TYPE OF CHAMBER	VALVE SIZE (mm)	CHAMBER SIZE (mm)	PC SLAB COVER		
			L1 (mm)	W (mm)	Nos.
SLUICE VALVE CHAMBER	100	900 X 1000	1080	190	6
	150	1000 X 1000	1180	190	6
	200	1000 X 1150	1180	182	7
	250	1100 X 1200	1280	190	7
	300	1100 X 1200	1280	197	7
AIR VALVE CHAMBER	400	1200 X 1400	1380	190	8
	450	1200 X 1400	1380	190	8
	50	900 X 1400	1080	190	6
WASHOUT CHAMBER TYPE 'A' & TYPE 'B'	80	1000 X 1000	1180	190	6
	100	1000 X 1100	1180	176	6
FIRE HYDRANT CHAMBER	100	1000 X 1000	1180	190	6
	150	1000 X 1000	1180	190	6
FIRE HYDRANT CHAMBER	100	900 X 1000	1080	190	6

SCHEDULE OF PRECAST SLAB COVER FOR PRECAST CHAMBER					
TYPE OF CHAMBER	VALVE SIZE (mm)	CHAMBER SIZE W1 x W2 (mm)	PC SLAB COVER		
			L1 (mm)	W (mm)	Nos.
SLUICE VALVE CHAMBER	150 - 200	600 x 550	630	220	3
	250 - 300	700 x 650	730	255	3
AIR VALVE CHAMBER	50	600 x 550	630	220	3
	80	700 x 650	730	255	3
FIRE HYDRANT CHAMBER	100	280 x 360	440	360	1
WASHOUT CHAMBER (TYPE '1' & TYPR '2')	100	600 x 550	630	220	3
	150	600 x 550	630	220	3

NOTE:

1. ALL DIMENSIONS ARE IN MILLIMETRE AND LEVELS ARE IN METRE UNLESS OTHERWISE STATED.
2. REINFORCED CONCRETE SHALL BE GRADE 25 UNLESS OTHERWISE STATED.
3. REINFORCEMENT TO COMPLY WITH BS 4449
R - DENOTES MILD STEEL (CHARACTERISTIC STRENGTH $f_y = 250 \text{ N/mm}^2$)
Y - DENOTES HIGH TENSILE STEEL (CHARACTERISTIC STRENGTH $f_y = 460 \text{ N/mm}^2$)

REV.	REVISED BY	DESCRIPTION	DATE
01	NORAZLIN	CHANGE LOGO	JAN 2018

Ranhill SAJ
SAJ Ranhill Sdn. Bhd. (476718-H)
Jalan Garuda, Larkin, P.O Box 262,
80350 Johor Bahru, Johor, Malaysia
T_+607 - 224 4040 F_+607 - 224 0033
1800-88-7474 sms 019-772 7474 www.sajranhill.com.my customer.care@saj.com.my

PROJECT:

DRAWING TITLE:
DETAILS OF PRECAST SLAB COVER

DRAWN BY: MAZZ DESIGNED: W.C
CHECKED: MFB APPROVED: T.C
SCALE: NOT TO SCALE DATE: JAN 2018
DRAWING NO: SAJ/STD/CH/02 (01)